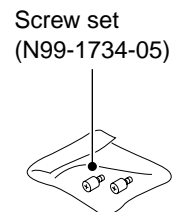
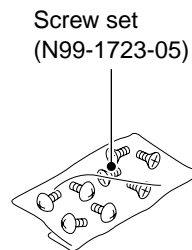
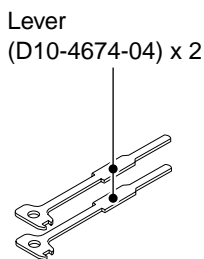
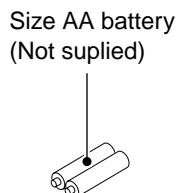
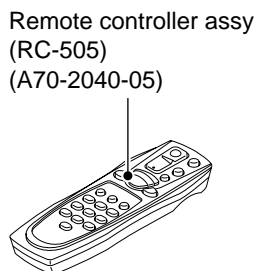
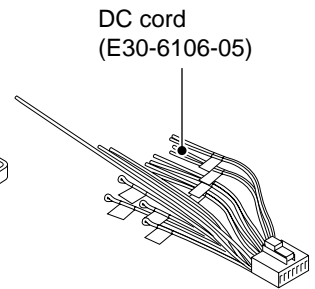
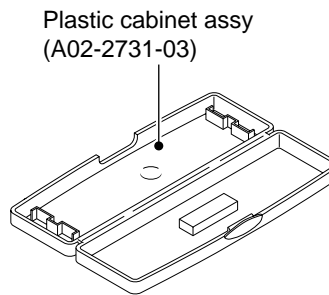
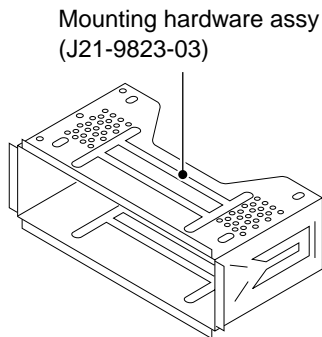
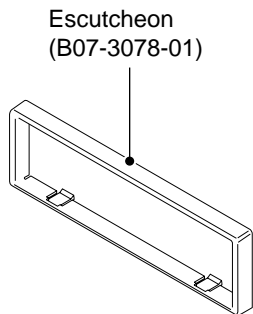
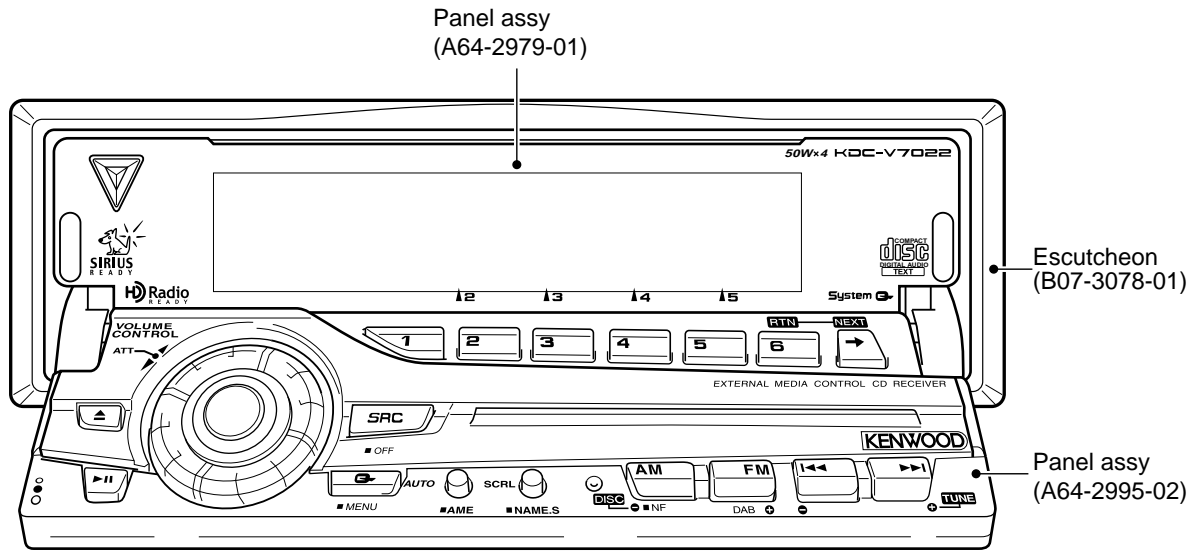


CD mechanism operation description is not in this service manual.
Please, refer to service manual X92-4030-0x (B51-7867-00).

CD mechanism extension cord : W05-0935-00

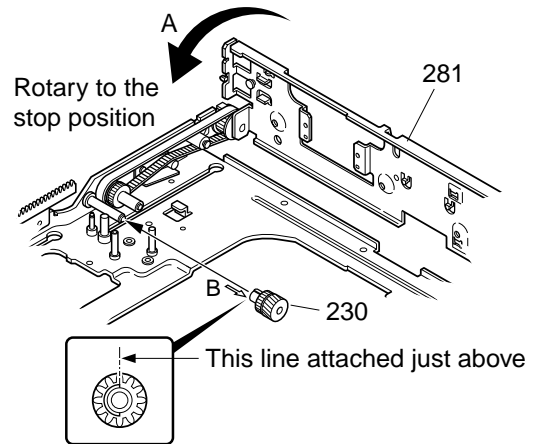


HOW TO THE PANEL MECHANISM ASSEMBLY

1. Fixed the position of operation side

(Fixed the horizontal position when the panel opened)

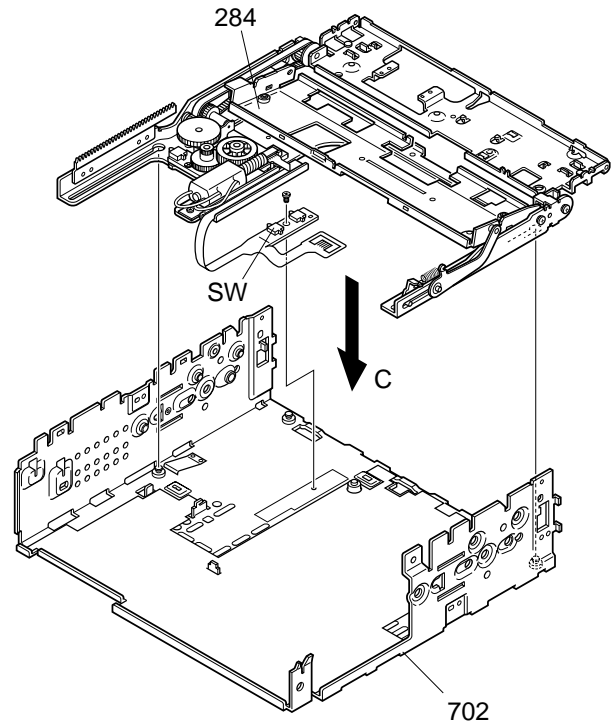
- ① The mounting hardware (281) of operation side is rotation (A) into the stop position with close side.
- ② As figure (B) line is just above and the gear (230) attached to pin.



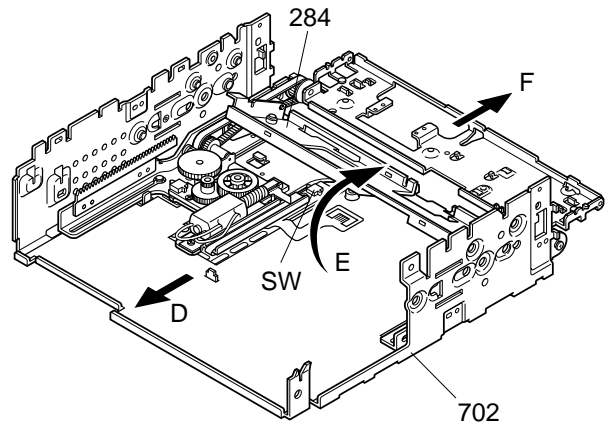
(This figure from look at B arrow)

2. The slider assembly insert to bottom chassis

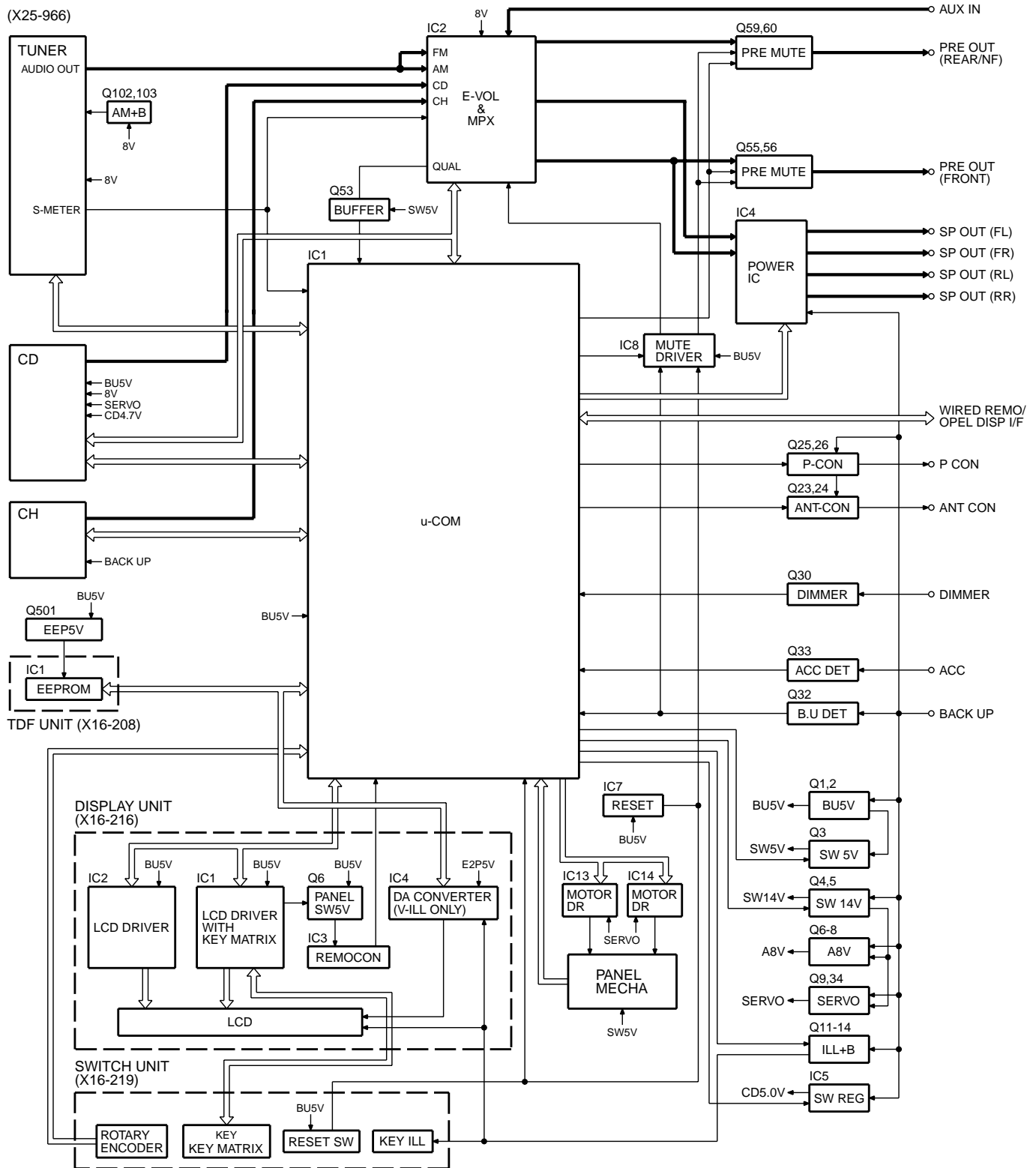
- ① The bracket for display panel (284) is leave down, insert to the chassis (702). (C)



- ② The slider assembly insert to the chassis (702) after that shift (D) direction.
- ③ The bracket for display panel (284) is raised (E) direction.
- ④ Keep the raising conditions, the slider assembly is shift (F) direction.
(Note) Do not bend the knob of chassis detection switch when the slider assembly insert.



BLOCK DIAGRAM



COMPONENTS DESCRIPTION

● SUB-CIRCUIT UNIT (X16-2080-10)

Ref. No.	Application/Function	Operation/Condition/Compatibility
IC1	E2PROM	For security

● SUB-CIRCUIT UNIT (X16-2160-10)

Ref. No.	Application/Function	Operation/Condition/Compatibility
IC1	LCD Driver	KEY Input
IC2	LCD Driver	
IC3	Remote control sensor	
IC4	D/A converter	
Q1	KEY scan start SW	ON when the base goes "L".
Q5, D26	VLCD AVR	
Q6	Remote control sensor power supply SW	ON when the base goes "L".
Q11~16	Variable illumination control	
Q62~64	Variable illumination control	

● SWITCH UNIT (X16-2190-10)

Ref. No.	Application/Function	Operation/Condition/Compatibility
Q1	DSI (Disabled System Indicator)	DSI blinks when the base goes "H/L"
Q2	KEY illumination SW (GREEN)	ON (KEY illumination green) when the base goes "H"
Q3	KEY illumination SW (RED)	ON (KEY illumination red) when the base goes "H"

● ELECTRIC UNIT (X25-9660-11)

Ref. No.	Application/Function	Operation/Condition/Compatibility
IC1	System μ -com	
IC2	E-vol & N.C. & MPX	
IC3	Regulator IC for A8V	
IC4	Power IC	
IC7	Reset IC	
IC8	Logic IC for muting	
IC13, 14	Motor driver IC for panel mechanism	
IC15	ROM IC	For ROM correction.
Q1, 2	B.U.5V AVR	While BU is applied, BU5V AVR outputs +5V.
Q3	SW5V	When Q3'base goes Lo, SW5V outputs +5V.
Q4, 5	SW14V	When Q5'base goes Hi, SW14V outputs 14V.
Q6~8	AUDIO 8V AVR	When Q6'base goes Hi, A8V AVR outputs 8.4V.
Q9, 34	SERVO+B AVR	When Q34'base goes Hi, S+B AVR outputs 7.4V.
Q11~14	ILL+B AVR	When Q11'base goes Hi, AVR outputs 10.5V.
Q23, 24	P-ANT SW	When Q23'base goes Hi, P-ANT SW outputs 14V.
Q25, 26	P-CON SW	When Q26'base goes Hi, P-CON SW outputs 14V.
Q27, 28	P-CON protection	Protect Q27 by turning on when P-CON output is grounded.
Q30	Small lamp det SW	When Q30'base goes Hi, Q30 is turned on.
Q32	BU det	When Q32'base goes Hi, Q32 is turned on.
Q33	ACC det	When Q33'base goes Hi, Q33 is turned on.

COMPONENTS DESCRIPTION

Ref. No.	Application/Function	Operation/Condition/Compatibility
Q51, 52	Mute driver	When a base goes Lo, mute driver is turned on.
Q53	Noise buffer	
Q54	E-vol mute SW	When a base goes Hi, mute SW is turned on.
Q55, 56	Pre-out mute SW	When a base goes Hi, Pre-out is muted.
Q59, 60	Pre-out mute SW	When a base goes Hi, Pre-out is muted.
Q63	E2P 5V SW	When Q63's base goes Lo, E2P 5V is out.
Q102, 103	AM+B SW	When Q102's base goes Hi, AM+B is out.

MICROCOMPUTER'S TERMINAL DESCRIPTION

● SYSTEM MICROCOMPUTER : UPD703030GC015 (X25-966 : IC1)

Pin No.	Pin Name	I/O	Module	Purpose / Description	Truth table	Processing Operation
1	PLL_DATA	I/O	Tuner	Data output/input with F/E.		
2	AM+B	I/O	Power supply	AM+B.		AM operation : H
3	(FM+B)	O	Power supply	FM+B (S01 F/E only).		FM operation : H, Last FM : H (With RDS, RBDS model)
4	V_ILL PAN_E2P DATA	I/O	To panel	V-ILL D/A converter (V-ILL, LCD), E2PROM data.		
5	V_ILL PAN_E2P CLK	I/O	To panel	V-ILL D/A converter (V-ILL, LCD), E2PROM clock.		
6	EVDD	-				
7	EVSS	-				
8	AFS	O	Tuner	Noise detection time constant switching.		FM seek, AF search : L, Receiving : H, Auto 0 : L
9	BEEP	O	Audio	Beep output.		
10	REMO	I	Extra	Remote control input (Panel, External display).		
11	P_MUTE	O	Audio	Power IC MUTE output.		Power OFF : L, All OFF : L, TEL mute : L
12	(SVR)	O	Audio	Power IC SVR discharge circuit control.		Power OFF momentary power dropped : H (5 second) and then L
13	IC2_SDA	I/O	CD	CD mechanism data line.		
			Audio	IC2 data line.		
			Extra	ROM correction data line.		
14	IC2_CLK	I/O	CD	CD mechanism clock line.		
			Audio	IC2 clock line.		
			Extra	ROM correction clock line.		
15	P_STBY	O	Audio	Power IC STBY output.		Power IC ON : H, Power IC OFF : L, All OFF : H
16	P_CON	I/O	Extra	Power control.		Power ON : H, Power OFF : Hi-Z, All OFF : Hi-Z
17	NC	O	Extra	Output : L (V-ILL model)		Output : L
18	TEST	-				Connect to GND.
19	TYPE2	I	Extra	Destination select.	②	
20	MUTE	O	Audio	Mute output.		ON : OPEN, OFF : L
21	PRE_MUTEL	O	Audio	PREOUT (L ch) mute.		M MUTE L is L : L (CD), Momentary power dropped : L, 2 zone, NAVI interrupt : Fixed H

KDC-V7022

MICROCOMPUTER'S TERMINAL DESCRIPTION

Pin No.	Pin Name	I/O	Module	Purpose / Description	Truth table	Processing Operation
22	PRE_MUTER	O	Audio	PREOUT (R ch) mute.		M MUTE R is L : L (CD), Momentary power dropped : L, 2 zone, NAVI interrupt : Fixed H
23	BU_DET	I	Extra	Momentary power dropped detection.		Backup : L, No backup, momentary power dropped : H
24	ACC_DET	I	Extra	ACC detection.		With ACC : L, Without ACC : H
25	SW5V	I/O	Power supply	5V power supply.		ON : L, OFF : Hi-Z
26	NC	O		NC (Without EXT_AMP_CONT model)		Output : L
27	DIMMER	I	Extra	Small lamp detection.		ON : L, OFF : H
28	ANT_CON	O	Extra	Antenna control.	②	Tuner ON : H, Other source With RDS last FM : H, Other source with RDBS TI ON last FM : H
29	P_ON	I/O	Power supply	SW 14V, SW 5V control, AD reference voltage control output.		Power ON : H, Power OFF : Hi-Z
30	ILL_ON	I/O	Power supply	FL, illumination output.		ON : H, OFF : Hi-Z
31	RESET	-				
32	XT1	-		Sub clock.		32.768kHz
33	XT2	-		Sub clock.		32.768kHz
34	REGC	-				Connect to 1 μ F capacitor.
35	X2	-		Main clock.		20MHz
36	X1	-		Main clock.		20MHz
37	VSS	-				
38	VDD	-				
39	CLKOUT	-				
40	LX_REQ_M	O	LX	Communication request to external slave.		Request : L
41	LX_MUTE	I	LX	Mute request from external slave.		Mute ON : H
42	LX_CON	O	LX	External slave select.		ON : H, OFF : L
43	LX_RST	O	LX	Reset output to external slave μ -com.		Normally : L, After system reset : H (400ms or more) and then L
44	NC	O		NC (Without WMA, MP3 model)		Output : L
45	TYPE0	I	Extra	Destination select.	②	
46	TYPE1	I	Extra	Destination select.	②	
47	IC2_TYPE0	I	Extra	IC2 destination.	②	
48	IC2_TYPE1	I	Extra	IC2 destination.	②	
49	NC	O		NC		Output : L
50	E2P5V	I/O	Power supply	E2PROM, DA converter power supply control.		ON : L, OFF : Hi-Z
51	DSI	I/O	To panel	DSI control.		ON : L, OFF : Hi-Z
52	L_CE	O	To panel	Chip enable output to LCD driver.		
53	L_INH	O	To panel	Inhibit signal output to LCD driver.		Normally : H, Reset, momentary power dropped : L
54	VOL A	I	To panel	VOL input.		
55	BVDD	-				
56	BVSS	-				
57	VOL B	I	To panel	VOL input.		
58	M_RST	O	CD	Reset output to CD mechanism.		Normally : H, Reset : L (Per mechanism control)
59	M_STOP	O	CD	Stop request to CD mechanism.		Stop : L, CD : H

MICROCOMPUTER'S TERMINAL DESCRIPTION

Pin No.	Pin Name	I/O	Module	Purpose / Description	Truth table	Processing Operation
60	CD_SW3	I	CD	DC down switch detection.		Chucking : H
61	LO/EJ	I/O	CD	CD mechanism loading/eject switch.		Stop, brake : Hi-Z, Loading : L, Eject : H
62	MOSW	O	CD	CD mechanism motor driver switch.		Loading, eject, brake : H
63	FPM MOTOR B	O	P-mecha	FPM mechanism (Slider) control.	③	
64	FPM MOTOR F	O	P-mecha	FPM mechanism (Slider) control.	③	
65	FPM MOTOR O	O	P-mecha	FPM mechanism (Angle) control.	③	
66	FPM MOTOR C	O	P-mecha	FPM mechanism (Angle) control.	③	
67	NC	O		NC (Without external display model)		Output : L
68	NC	O		NC (Without external display model)		Output : L
69	NC	O		NC (Without external display model)		Output : L
70	M_MUTER	I	CD	Mute request form CD mechanism. (R ch).		ON : L (CD)
71	AVDD	-				
72	AVSS	-				
73	AVREF	-		Connect to P_ON (29 pin).		
74	M_MUTEL	I	CD	Mute request form CD mechanism. (L ch).		ON : L (CD)
75	PAN_DET	I	To panel	Panel E2PROM detection.		With : L, Without : H
76	NC	I		NC (Without TEL-MUTE model)		Connect to GND.
77	FPM SW4	I	P-mecha	FPM mechanism position detection, mechanism detection.	③	3.75V or more : No mechanism, 1.25V or more : H, Less than 1.25V : L
78	FPM SW1	I	P-mecha	FPM mechanism position detection.	③	
79	FPM SW2	I	P-mecha	FPM mechanism position detection.	③	
80	FPM SW3	I	P-mecha	FPM mechanism position detection.	③	
81	FPM PHOUT	I	P-mecha	FPM mechanism position detection.	③	H : 2.2V or more
82	S_METER	I	Tuner	S-meter detection.		Refer to S03 F/E control.
83	NOISE	I	Tuner	FM noise detection.		Refer to S03 F/E control.
84	IFC_OUT	I	Tuner	F/E IFC OUT input.		With station : 2.5V or more, refer to S03 F/E control.
85	NC (POWER_DET)	I	Extra	Power IC DC offset detection.		03 model not used. Connect to GND.
86	NC	O		NC (Except J type)		Output : L
87	NC	I		NC (Without RDS, RBDS model)		Connecto to GND.
88	LX_REQ_S	I	LX	Receive request from external slave.		Request : L
89	KEY_REQ	I	To panel	Communication request from LCD driver		
90	CD_SW1	I	CD	Loading switch detection.		Loading start power off : L
91	CD_SW2	I	CD	12cm disc detection switch.		12cm disc power off : L
92	NC	I		NC (Without RDS, RBDS model)		Connecto to GND.
93	NC	I		NC (Without RDS, RBDS model)		Connecto to GND.
94	LX_DATA_S	I	LX	Data input from external slave.		
95	LX_DATA_M	O	LX	Data output to external slave.		
96	LX_CLK	I/O	LX	Clock input/output with external slave.		
97	L_DATAL	I	To panel	Data input from LCD driver.		
98	L_DATAS	O	To panel	Data output to LCD driver.		
99	L_CLK	O	To panel	Clock output to LCD driver.		
100	PLL_CLK	I/O	Tuner	Clock input/output with F/E.		

KDC-V7022

MICROCOMPUTER'S TERMINAL DESCRIPTION

Truth table

② Destination port

MODEL	Destination	DISPLAY	TYPE2	TYPE1	TYPE0
KDC-X969	K	FL	0	0	0
KDC-MP922	K	FL	0	0	1
FX-9000	J	FL	0	1	0
KDC-PSW9524	E	FL	1	0	0
KDC-9023R	M (E)	FL	1	0	1
KDC-X869	K	FL	0	1	1
KDC-8024	E	FL	-	-	-
KDC-MP822	K	LCD	-	0	0
KDC-M7024	E	LCD	-	0	1
FX-5000	J	LCD	-	1	0
KDC-V7022	K	LCD	0	0	0
KDC-X769	K	LCD	0	0	1
KDC-722	K	LCD	0	1	0
KDC-7024 KDC-7024Y	E	LCD	0	1	1
KDC-8023	M (K)	LCD	1	0	0

Note : When FL model using TYPE2, K & J type (with ANT_CON model) : L, E type (without ANT_CON model) : H

Destination(IC2)

	TYPE0	TYPE1
Market model	L	L
Market model CRSC modification	L	H
OEM model CRSC modification	H	L
OEM model CRSC and de-emphasis modification	H	H

③ FPM MOTOR

Slide		FPM mechanism operation
FPM MOTOR B	FPM MOTOR F	
0	0	Standby
1	0	Backward operation
0	1	Forward operation
1	1	Brake

Angle		FPM mechanism operation
FPM MOTOR O	FPM MOTOR C	
0	0	Standby
1	0	Angle open direction
0	1	Angle close direction
1	1	Brake

TEST MODE

● How to enter the test mode

While pressing and holding the Preset 1 and Preset 3 keys, reset the unit.

● How to exit from the test mode

While holding the Preset 6 key, reset the unit.

(Note) The test mode cannot be terminated by reset the unit, ACC OFF, power OFF and Panel detached, momentary power down.

● Initial status in the test mode

- Sources : ALL OFF
- Display : All segments are lit.
- Volume : -10 dB (displayed as "30")
- Loudness : OFF
- CRSC : OFF regardless of the presence of switching function.
- SYSTEM Q : Flat
- WOW : All OFF
- BEEP : When pressing any keys, the buzzer generates a beep at any time.
- AUX : ON
- MENU SYSTEM Q : OFF
- Variable model : Default is white
- Multifunction : Source dependency (Preset, SCAN, etc.)

● Special display in Tuner mode

When any of the following messages is displayed in Tuner mode, the F/E may be abnormal.

- "TNE2P NG" : The EEPROM is set to the default (unstable values) because the F/E was shipped without passing through the adjustment process, etc.
- "TNCON NG" : Communication with the F/E is not possible.

● Forced switching of K3I

Each press of the Preset 6 key in Tuner mode should switch K3I from AUTO → Forced Wide → Forced Middle → Forced Narrow → AUTO.

The initial status is AUTO and the display shows these modes as follows.

- AUTO : FMA
- Forced Wide : FMW
- Forced Middle : FMM
- Forced Narrow : FMN

● Test mode specifications of the CD receiver

- Forced ejection is inhibited in the reset start operation. When the unit is reset while a CD is loaded in it, the CD is not recognized by resetting.
- Each press of the Track Up key jumps to the following track numbers:
No. 9 → No. 15 → No. 10 → No. 11 → No. 12 → No. 13 → No. 22 → No. 14 → No. 9 (The cycle restarts from here.)
- Each press of the Track Down key jumps to the previous track number to the track being played.
- When the number of total tracks of the MP3 disc or the WMA disc is less than 9, 1st track is played.
- When the disc media is CD, A short press of the Preset 1 key jumps to the track number 28.
- When the model is equipped the CD mechanism assembly adapted for MP3 or MP3/WMA disc, the mechanism name and version number are displayed during the FL model is lower stand and Display mode of LCD model is DNPS.

● Audio-related specifications

- Pressing the * key on the remote initiates the audio adjustment mode.
- BL/F key on the Fader initials.
- Continuous holding of a remote control key is inhibited, and workings are short press of any keys.
- Bass, Middle and Treble are adjusted in 3 steps of -8 / 0 / +8 with the Track Up/Down keys (Default value at 0).
- Balance is adjusted in 3 steps of L15 / 0 / R15 with the Track Up/Down keys (Default value at 0).
- Fader is adjusted in 3 steps of R15 / 0 / F15 with the Track Up/Down keys (Default value at 0).
- HPF is adjusted in 2 steps of OFF / 170Hz (or 220Hz) with the Track Up/Down keys (Default value at OFF).
- LPF is adjusted in 2 steps of OFF / 120Hz with the Track Up/Down keys (Default value at OFF).
- Bass f, Bass Q, Bass EXT, Middle f, Middle Q and Treble f are not dealt with by the audio adjust.
- The WOW key pass during the audio adjustment as following steps.

Order	Mod.			Display
	TruBass	FOCUS	SRS	
①	OFF	OFF	OFF	SRS WOW OFF
②	ON	OFF	OFF	SRS TruBass ON
③	OFF	LOW	OFF	FOCUS LOW
④	OFF	HIGH	OFF	FOCUS HIGH
⑤	OFF	OFF	ON	SRS ON
⑥	ON	HIGH	ON	SRS WOW HIGH

TEST MODE

● Menu-related specifications

- A short press of the Q key initiates the menu mode.
- Pressing the DNPP key on the remote initiates the Menu mode.
- Continuous holding of a remote control key is inhibited, and workings are short press of any keys.
- Contrast is adjusted in 3 steps of 0 / 5 / 10 with the Track Up/Down keys (Default value at 5).

● Backup current measurement

When the unit is reset while ACC is OFF (i.e. by turning Backup ON), the MUTE terminal goes OFF in 2 seconds in place of 15 second. (The CD mechanism is not activated at this time.)

● Special display when the display is all on

Pressing the Preset keys while the power is ALL OFF displays the following information.

[PRESET 1]	Version display (8 digits, Month/Day/Hour/Minute) (Display) SYS xxxxxxxx : System microcomputer PAN xxxxxxxx : FL model only MEM xxxxxxxx : 4 contrasts FL model only
[PRESET 2]	Serial number display (8 digits) (Display) SNo xxxxxxxx
[PRESET 3]	Short press : View power ON time. (The All OFF period is not counted.) 2 seconds long press/hold : Clear power ON time at the power ON time displaying. (Display) PonTim xxxxx Max. 60000 (hours)
[PRESET 4]	Short press : Display CD operation time. 2 seconds long press/hold : Clear CD operation time at the CD operation time displaying. (Display) CDTim xxxxx Max. 60000 (hours)
[PRESET 5]	Short press : Display CD ejection count. 2 seconds long press/hold : Clear CD ejection count at the CD ejection count displaying. (Display) EjeCnt xxxxx Max. 60000 (times)
[PRESET 6]	Short press : Display Panel open/close count. 2 seconds long press/hold : Clear Panel open/close count at the Panel open/close count. (Display) PnCnt xxxxx Max. 600000 (times)
FM key	Display ROM collection version. (Display) ROM R xxx Invalid : "R --"
AM key	Display panel E2PROM condition. (Display) P-ROM OK (Registered code) P-ROM NG (Code is write in error) P-ROM WAIT (Unregistered code) P-ROM NON (Panel security nonfunctional)

● Panel mechanism

- Auto-panel close inhibition when set-in the CD.
- The panel operation inhibition at power ON/OFF and ACC ON/OFF.
- The panel position changing Eject ↔ Last with a short press of the PLAY/PAUSE keys.

● Other specifications

- No displays such as "CODE OFF/ON" during Power-ON.
- The LINE MUTE inhibition time is one second from 10 seconds when start-up the test mode.
- Do not write the security code with the security jig on the test mode.
- Do not write the serial with the serial writing jig on the test mode.
- OEM display output is not stop if OEM display not connection on the test mode.

● Switching the frequency span (K/M type)

While holding the Preset 1 key and Preset 5 key, reset the unit.

● Response to OEM setting

(Destination of electronic volume setting)

S03F/E models are response to OEM models option at put in μ -com 2 pin.

Its setting are following steps.

IC2TYPE0 (47 pin)	IC2TYPE1 (48 pin)	Description
Low	Low	① Trade model (Initial quantify)
Low	High	② Trade model (CRSC change)
High	Low	③ OEM model-ready CRSC change
High	High	④ OEM model-ready CRSC & de-emphasis change

● Security-related information

1. Forced Power ON mode (All models)

Even when the security (Cord) is approved, resetting the unit while holding the Q and Preset 4 keys makes it possible to turn the power ON for 30 minutes.

After 30 minutes have elapsed, it is not possible to return to the previous condition unless the unit is reset again. (Security code is do not clear at this mode. Put the power on fill-in.)

TEST MODE

2. Method of registration of the security code after EEPROM (F/E) replacement (Code security model)

- 1) Enter the test mode. (See How to enter the test mode)
- 2) Press the MENU key to enter the Menu mode.
- 3) When the message "Security" is displayed, press and hold the Track Up/Down key for 1 second to enter the security registration mode.
- 4) Enter the code using the FM/AM/Track Up/Track Down keys.
 - FM key : Number up
 - AM key : Number down
 - Track Up key : Cursor right shift
 - Track Down key : Cursor left shift
- 5) Hold down the Track Up key for at least 3 seconds and the message, "RE-ENTER" appears, so once again enter the code according to Step 4 above.
- 6) Press and hold the Track Up key for 3 seconds until "APPROVED" is displayed.
- 7) Exit from the test mode. (See 2. How to exit from the test mode)
 - (Note 1) All Clear is not applicable to the security code of this model.
 - (Note 2) When the F/E changed, need re-inscription because the panel security is clear.

3. Simple way to clear the security code (K type only)

- 1) During code request mode, press the Track UP key for at least 3 seconds while holding down the AUTO key. (--- will disappear)
- 2) Enter, "KCAR" with the remote controller as described below.
 - Press the remote controller 5 key twice, and press the Track Up key. (Enters a "K")
 - Press the remote controller 2 key three times, and press the Track Up key. (Enters a "C")
 - Press the remote controller 2 key once, and press the Track Up key. (Enters an "A")
 - Press the remote controller 7 key twice, and press the Track Up key. (Enters an "R")
- 3) Security function is canceled and unit sets to All-Off mode.
- 4) Code request mode appears if a mistake was made in entering the numbers.

4. How to inscription the panel security code

- 1) Enter the test mode.
- 2) Pressing the AM key on all lighting, check the "P-ROM WAIT" display.
- 3) The NEXT key is long press 2 seconds, writing the code.
- 4) Display is "P-ROM OK".
- 5) Exit from the test mode.
 - (Note) E2PROM connection is NG when display is "P-ROM NG", so detach the panel and rewrite after the display is "P-ROM WAIT". This code can not clear.

● Check the SRAM

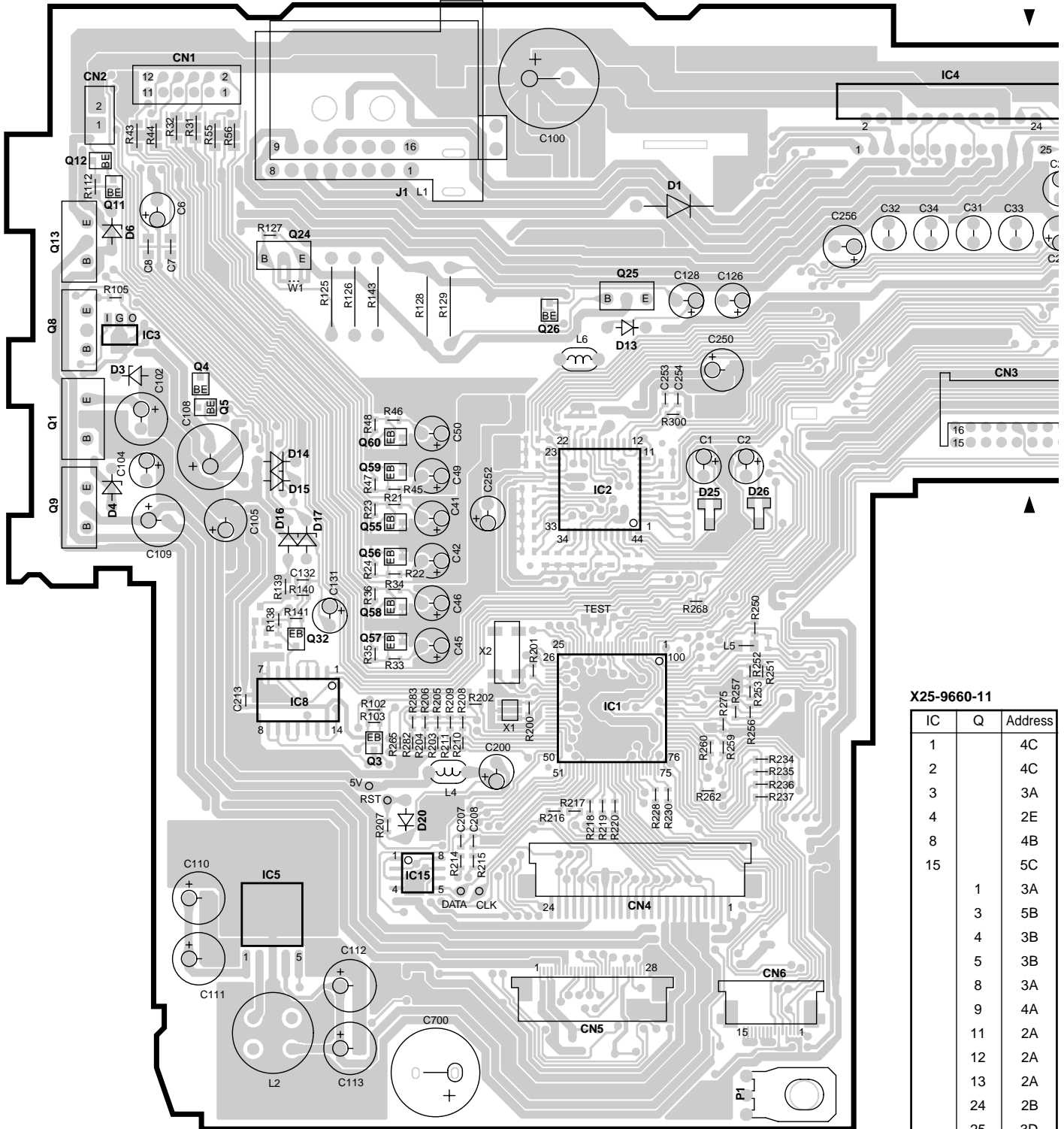
Output (Hi) to the SRAM_CHECK terminal on 101 pin when SRAM is function properly on the panel of 4 gradation FL models.

● Check the Flash ROM

- 1) Display to the following effect at ALL OFF by assortment system computer and panel for cover the customization model attach the panel with no Flash ROM.
 - Customization system computer + Flash ROM panel : All lighting
 - Non customization system computer + Non Flash ROM panel : All lighting
 - Customization system computer + Non Flash ROM panel : Panel NG
 - Non customization system computer + Flash ROM panel : Panel NG
- 2) Output (Hi) to the FLASHROM_CHECK terminal on 102 pin when Flash ROM is function properly.
- 3) Flash ROM data is initialized when pressing the AM key long hold at all lighting.
 - Display is "Data Erase" in data erasing mode. Do not touch anything this mode. When the data erase completed, display is "Erase OK!!".
 - If display is "Erase NG!!!!!!", Flash ROM data unable erase for some kind or another factors.
 - When same effect as pressing the AM key long hold and data erase once again, Flash ROM is defective.

PC BOARD (COMPONENT SIDE VIEW)

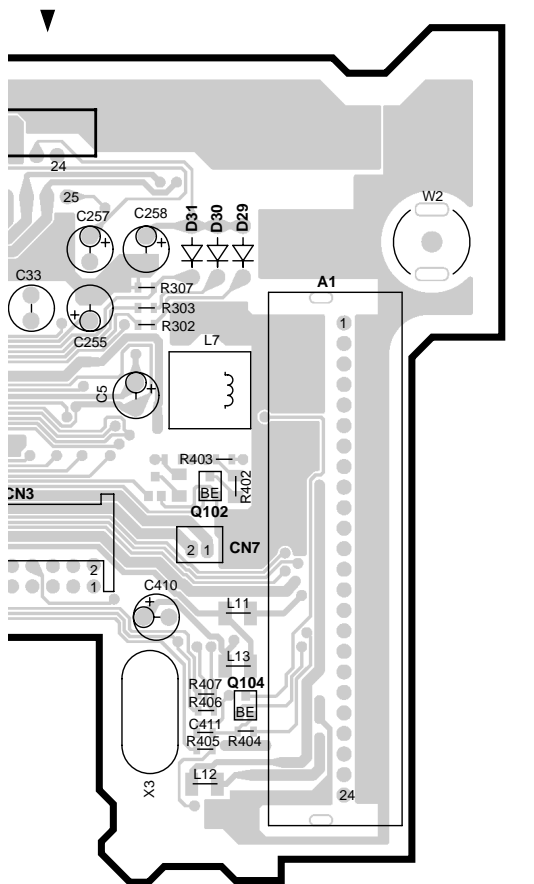
ELECTRIC UNIT X25-9660-11 (J74-1474-12)



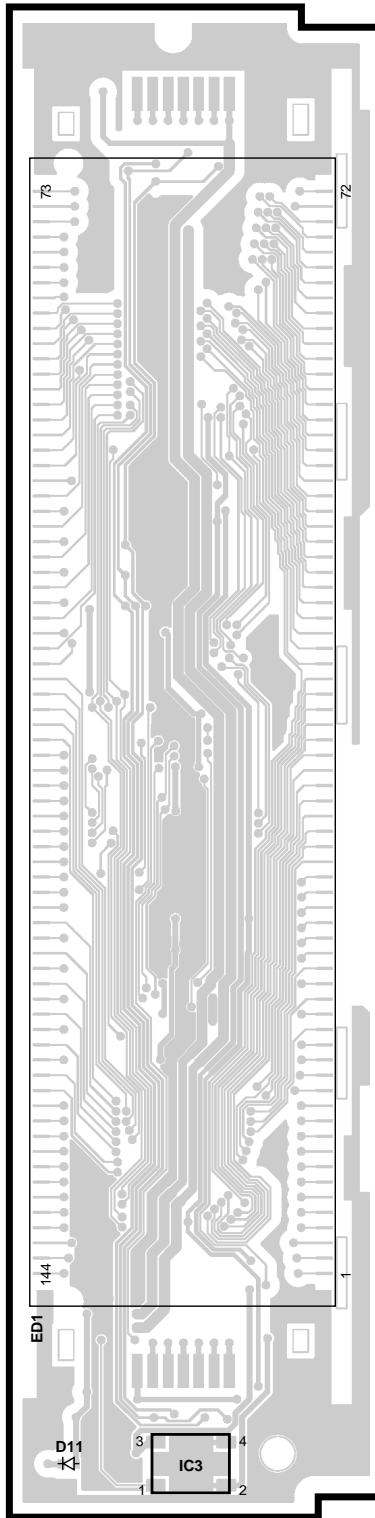
X25-9660-11

IC	Q	Address
1		4C
2		4C
3		3A
4		2E
8		4B
15		5C
	1	3A
	3	5B
	4	3B
	5	3B
	8	3A
	9	4A
	11	2A
	12	2A
	13	2A
	24	2B
	25	3D
	26	3C
	32	4B
	55	4B
	56	4B
	59	3B
	60	3F
	102	3F

Refer to the schematic diagram for the values of resistors and capacitors.



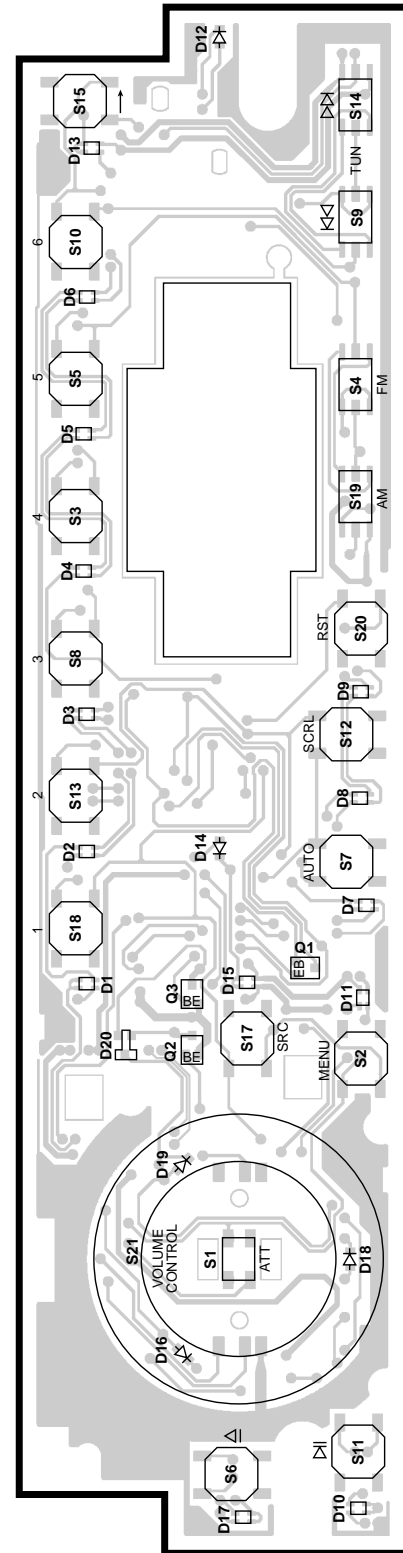
SUB-CIRCUIT UNIT
X16-2160-10 A/3 (J74-1480-12)



X16-2160-10

IC	Address
3	6H

SWITCH UNIT
X16-2190-10 (J74-1484-12)



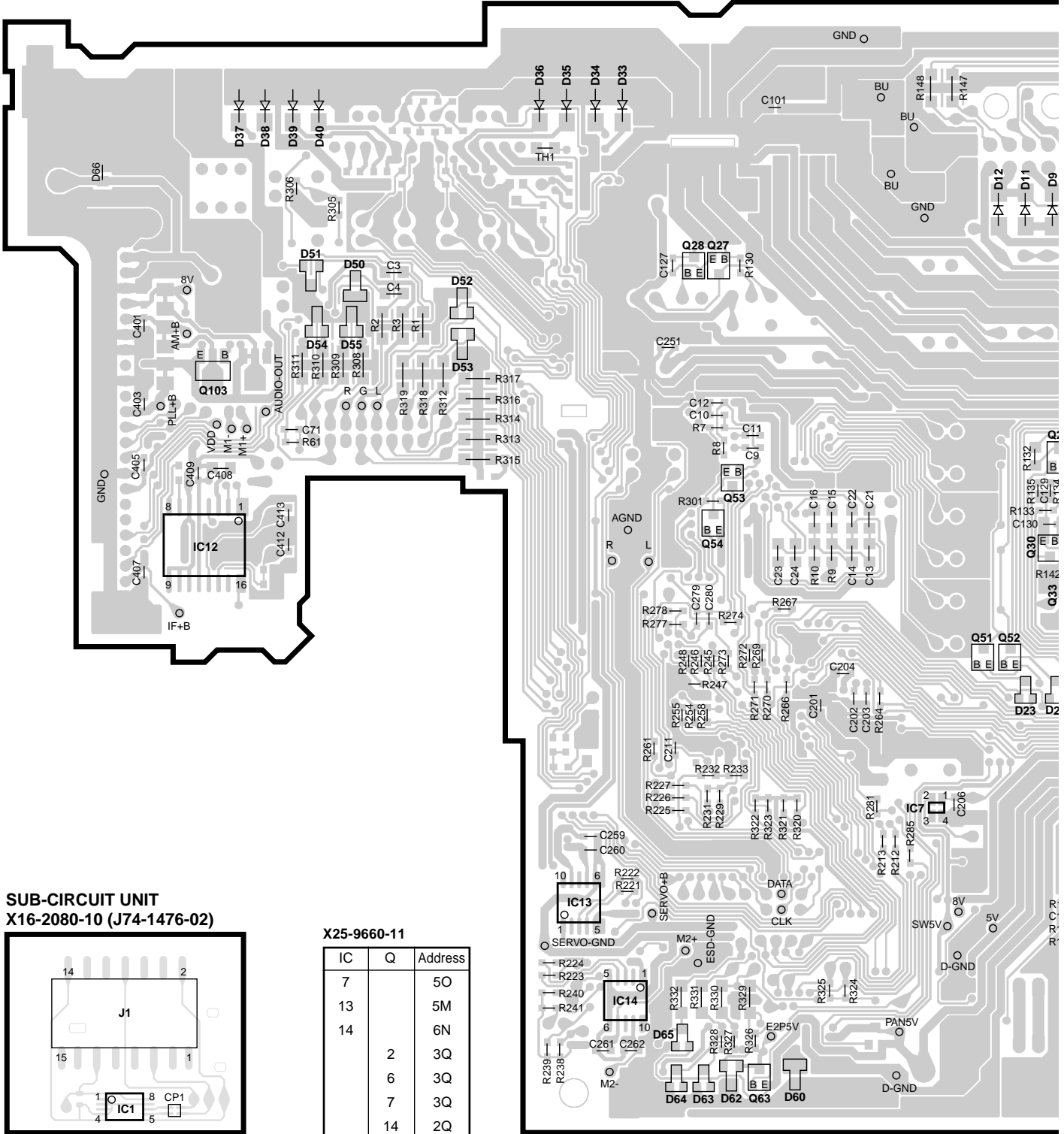
X16-2190-10

Q	Address
1	5J
2	5I
3	5I

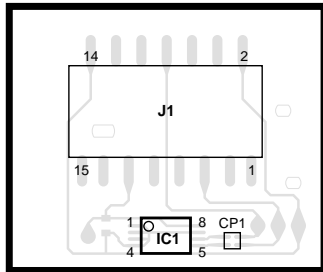
KDC-V7022

PC BOARD (FOIL SIDE VIEW)

ELECTRIC UNIT X25-9660-11 (J74-1474-12)



SUB-CIRCUIT UNIT X16-2080-10 (J74-1476-02)



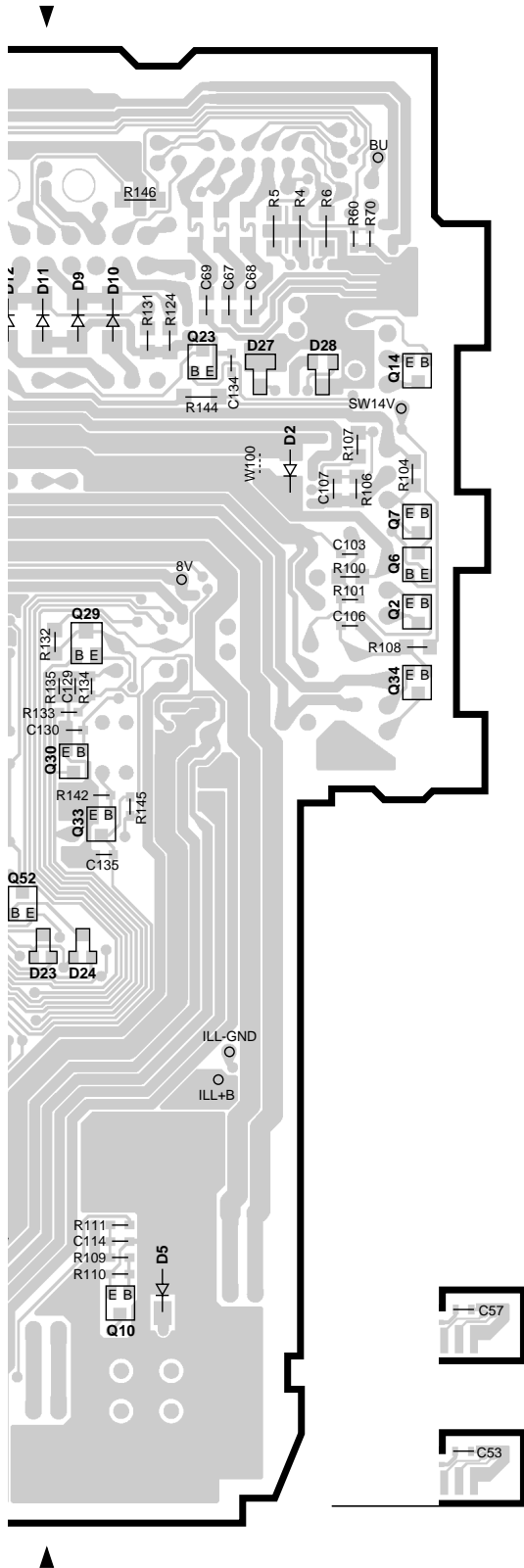
X16-2080-10

IC	Address
1	6K

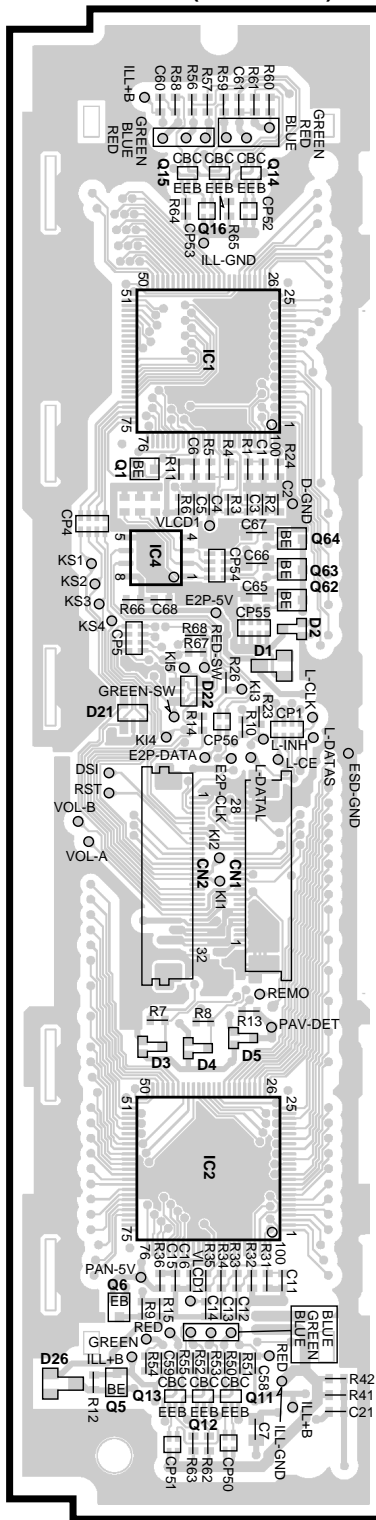
X25-9660-11

IC	Q	Address
7		5O
13		5M
14		6N
2		3Q
6		3Q
7		3Q
14		2Q
23		2P
27		2N
28		2N
30		4P
33		4P
34		4Q
51		4O

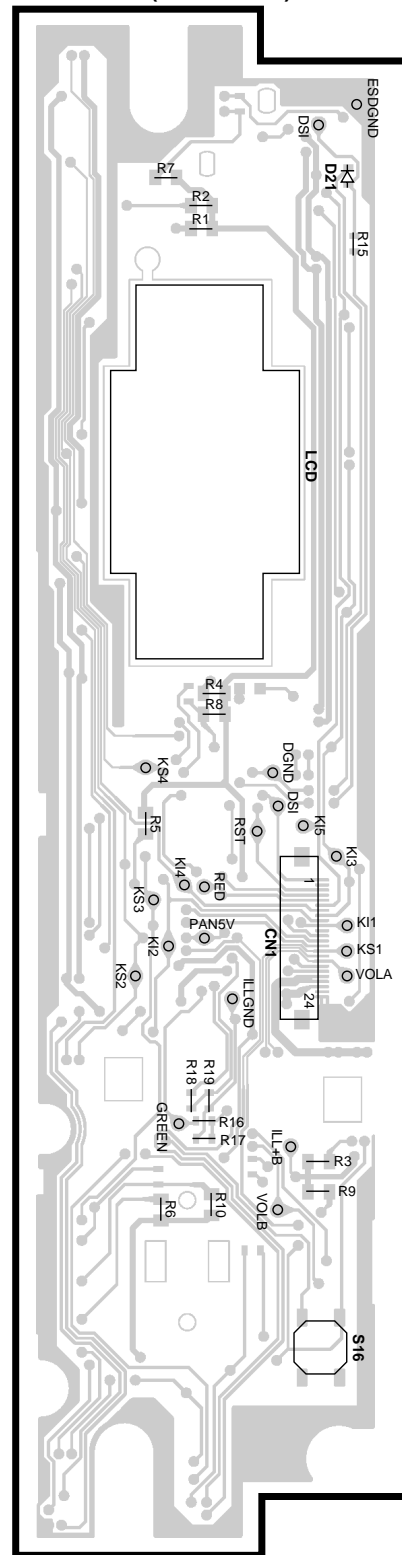
IC	Q	Address
	52	4O
	53	4N
	54	4N
	63	6N
	103	3L



SUB-CIRCUIT UNIT
X16-2160-10 A/3 (J74-1480-12)



SWITCH UNIT
X16-2190-10 (J74-1484-12)



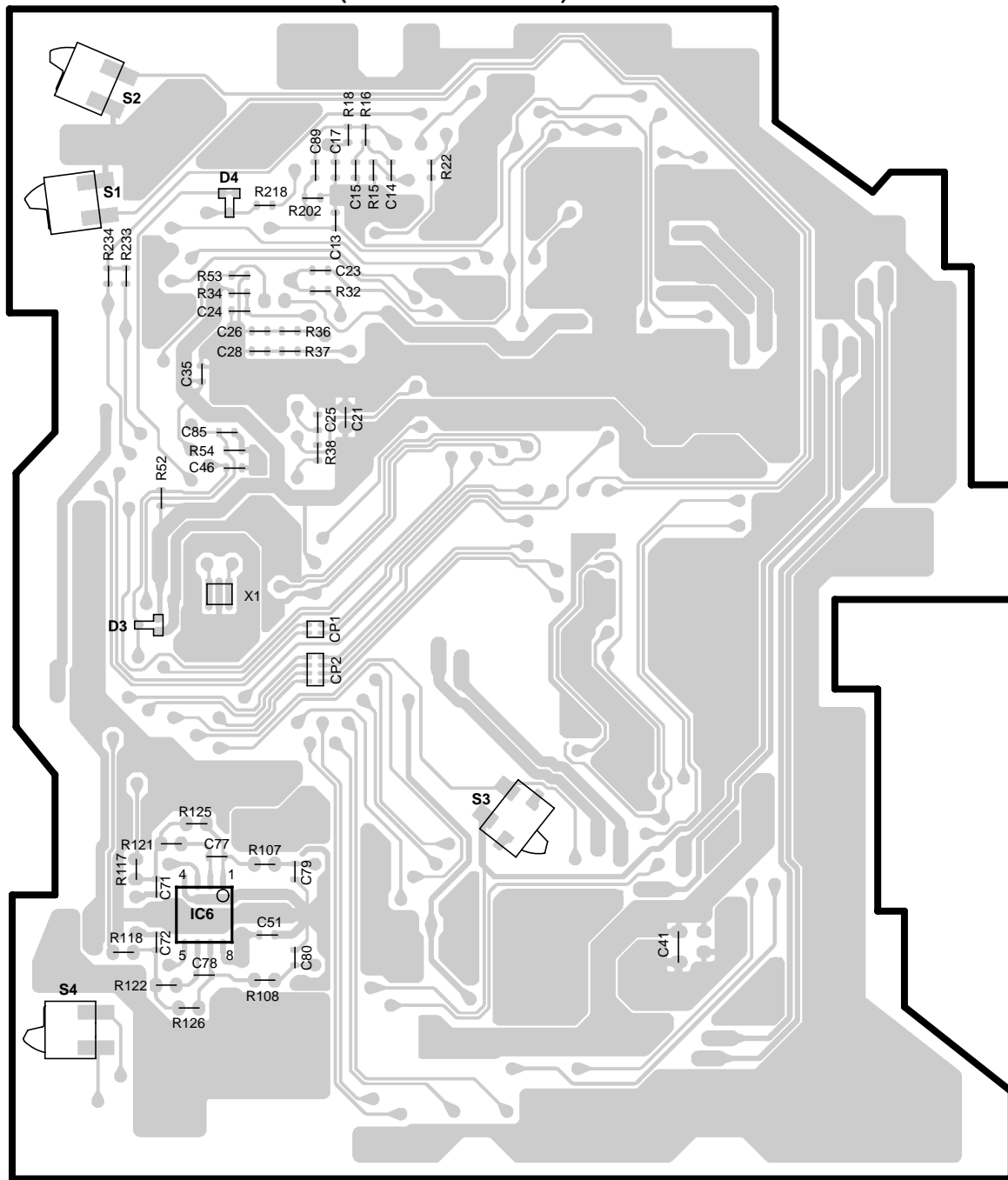
X16-2160-10

IC	Q	Address	IC	Q	Address	IC	Q	Address	IC	Q	Address
1		2R		5	3R		13			62	
2		5R		6	6R		14			63	
4				11	2R		15			64	
	1	3R		12			16				

Refer to the schematic diagram for the values of resistors and capacitors.

PC BOARD (COMPONENT SIDE VIEW)

CD PLAYER UNIT X32-5200-00 (J74-1243-02/1245-02)



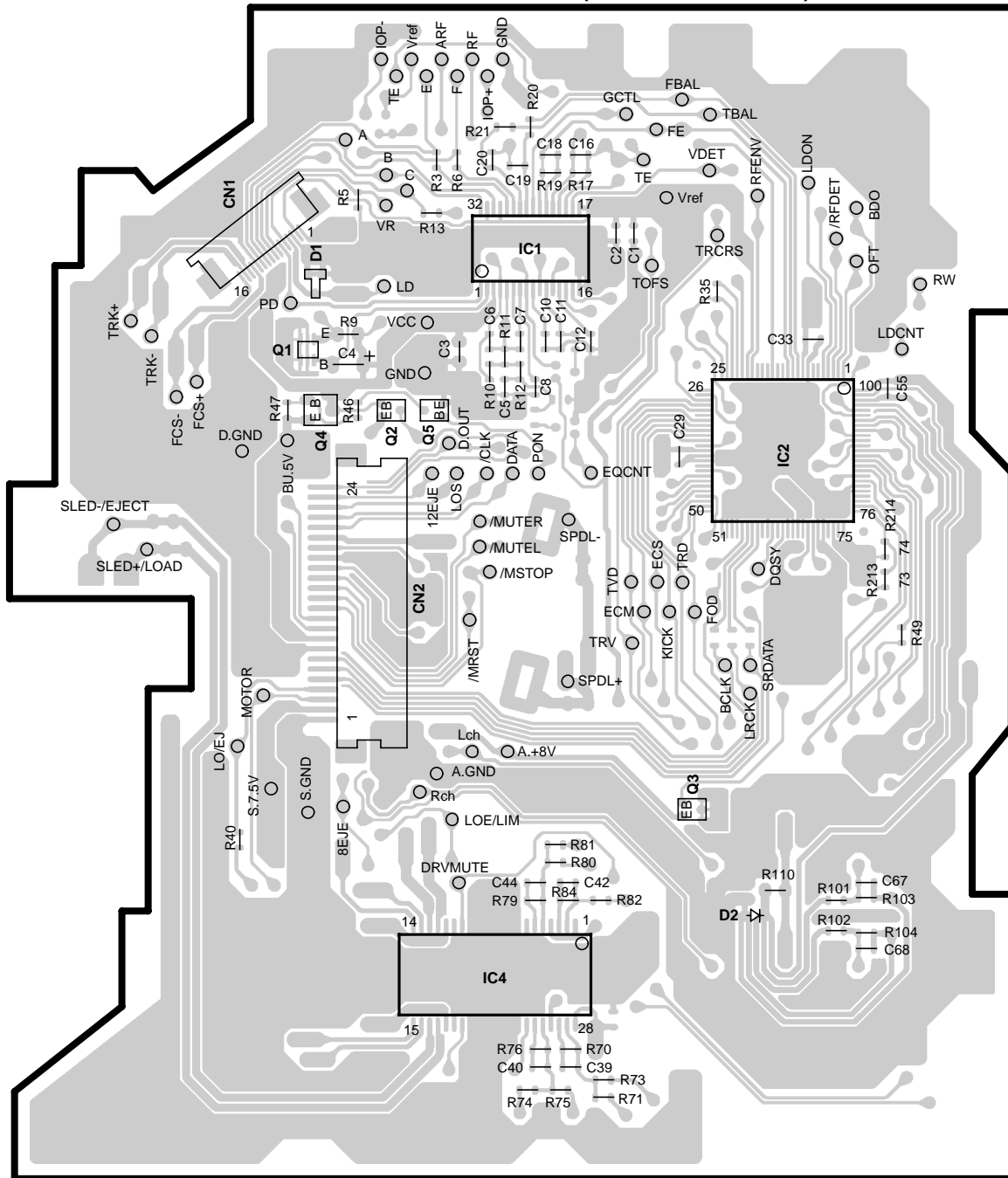
X32-5200-00

IC	Address
6	5V

Refer to the schematic diagram for the values of resistors and capacitors.

PC BOARD (FOIL SIDE VIEW)

CD PLAYER UNIT X32-5200-00 (J74-1243-02/1245-02)



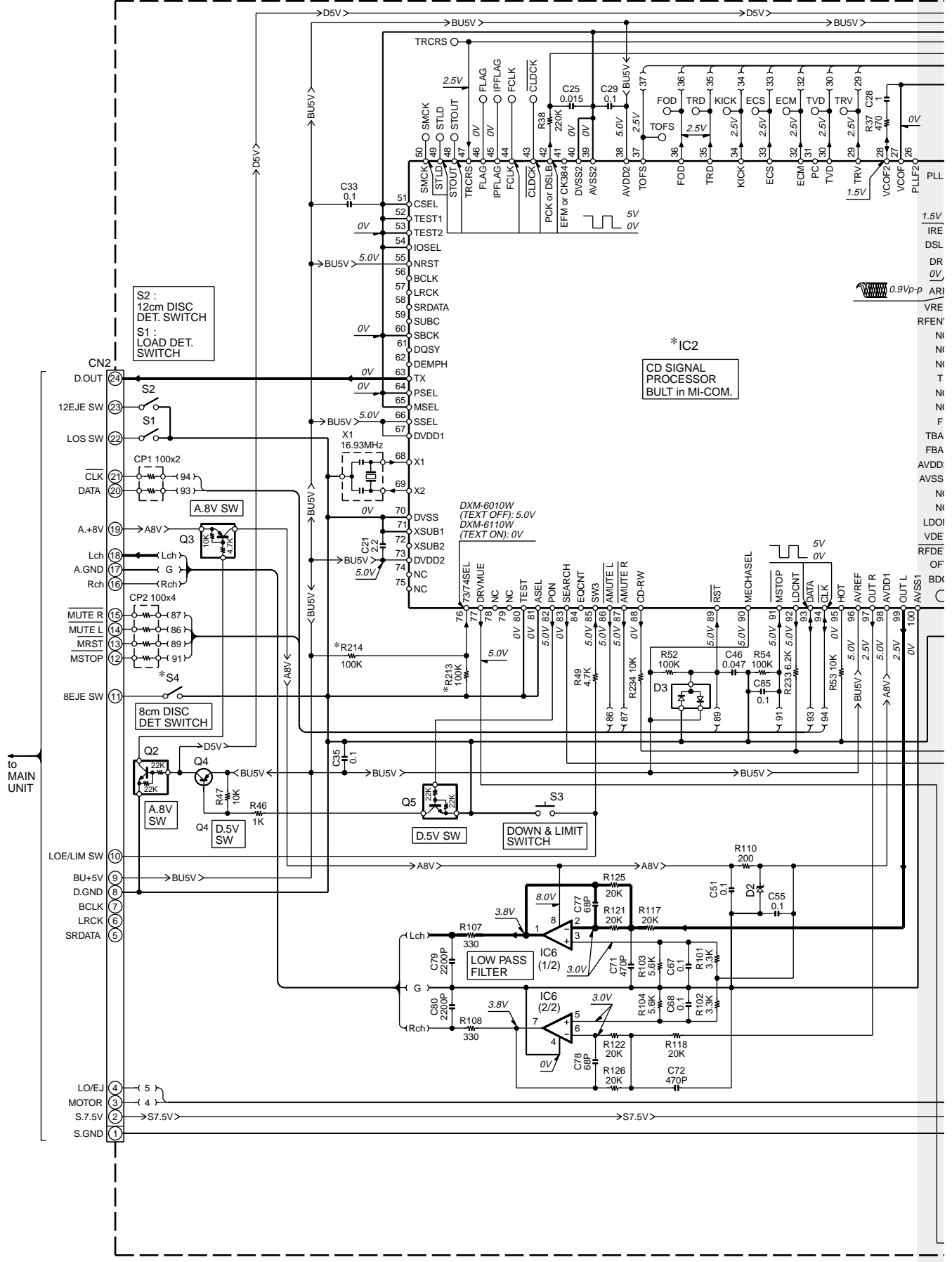
X32-5200-00

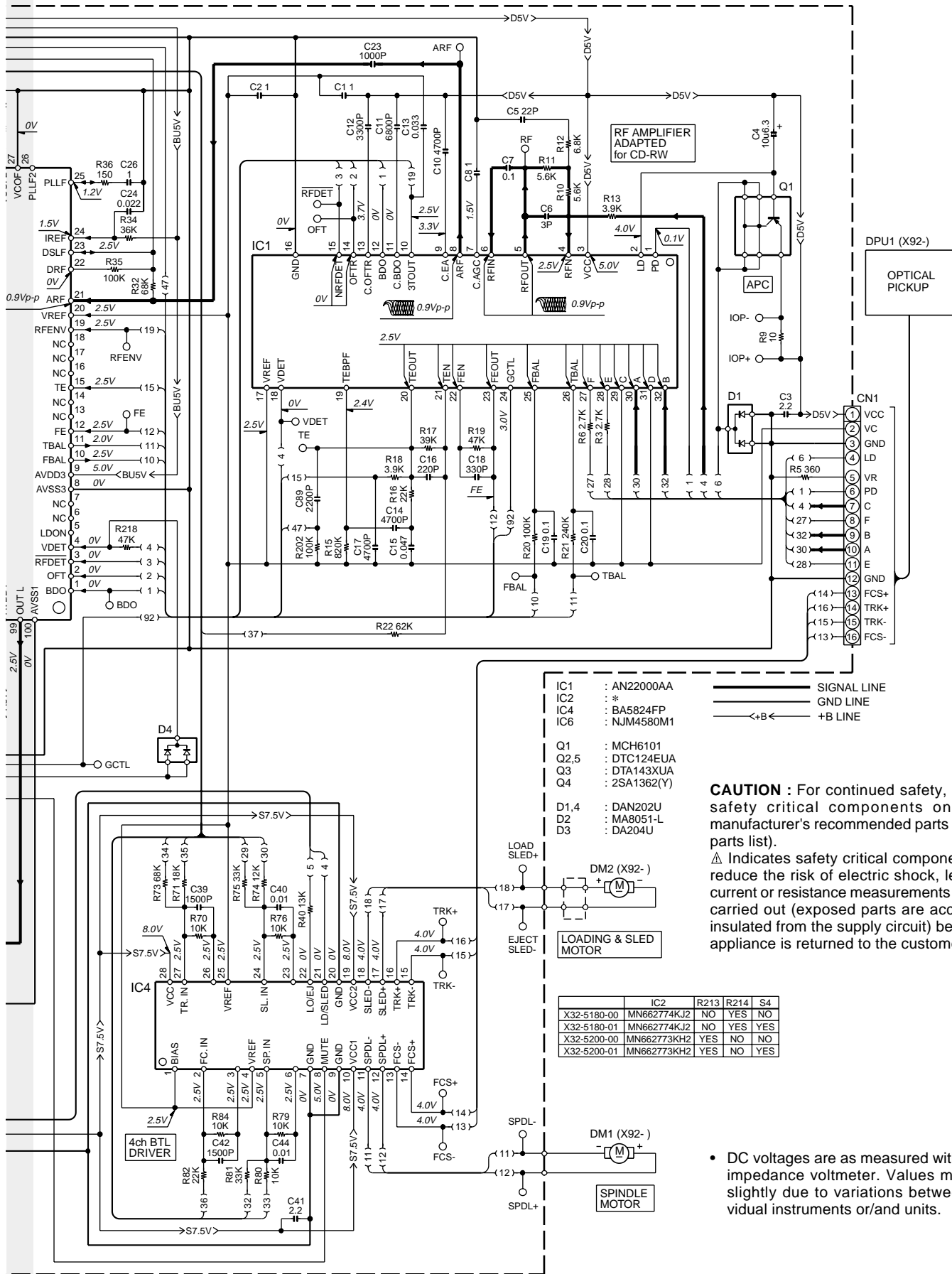
IC	Q	Address	IC	Q	Address
1		2AB	2		3AA
2		3AC	3		4AB
4		5AB	4		3AA
	1	3AA	5		3AA

Refer to the schematic diagram for the values of resistors and capacitors.

KDC-V7022

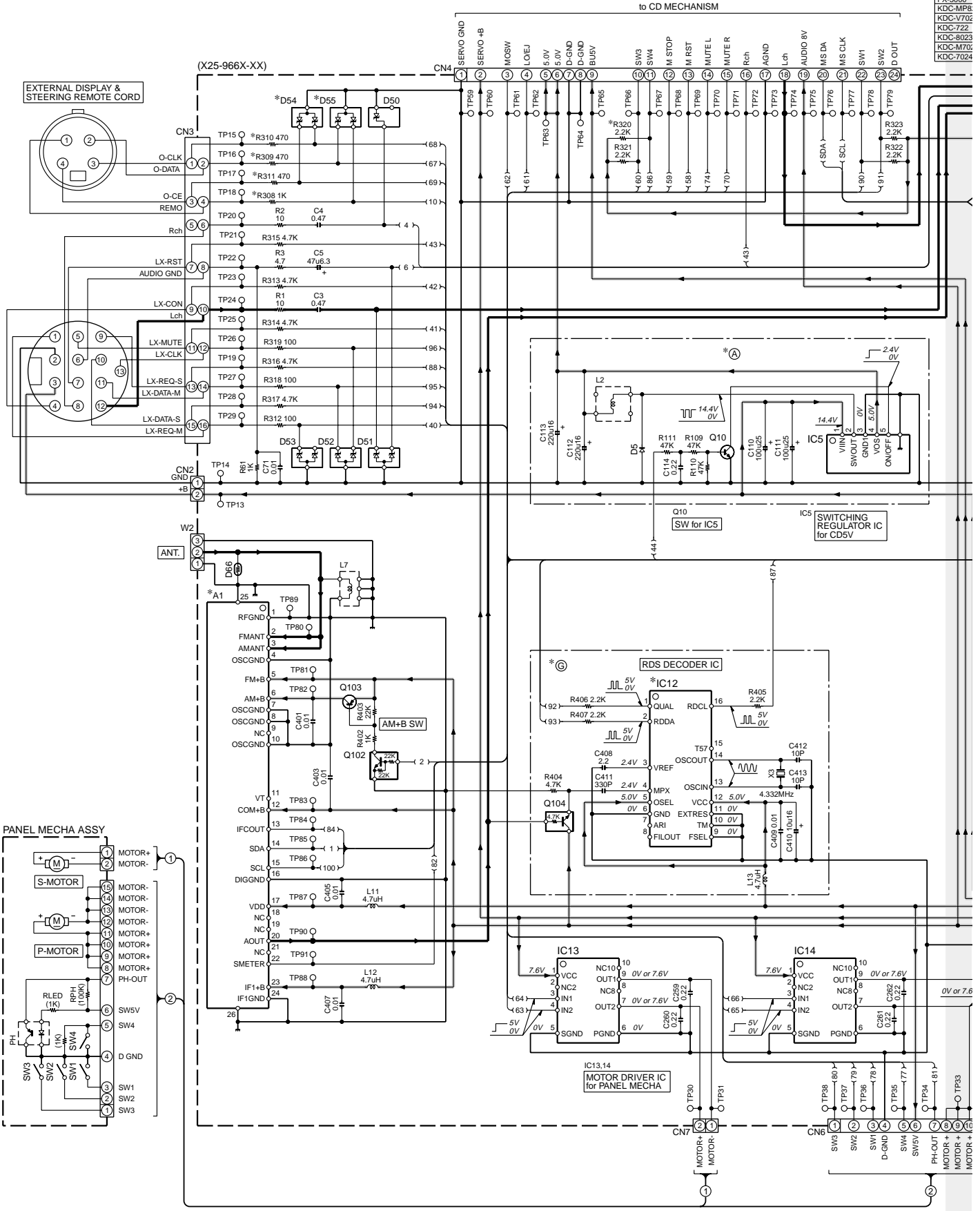
CD PLAYER UNIT (X32-5200-00)





KDC-V7022

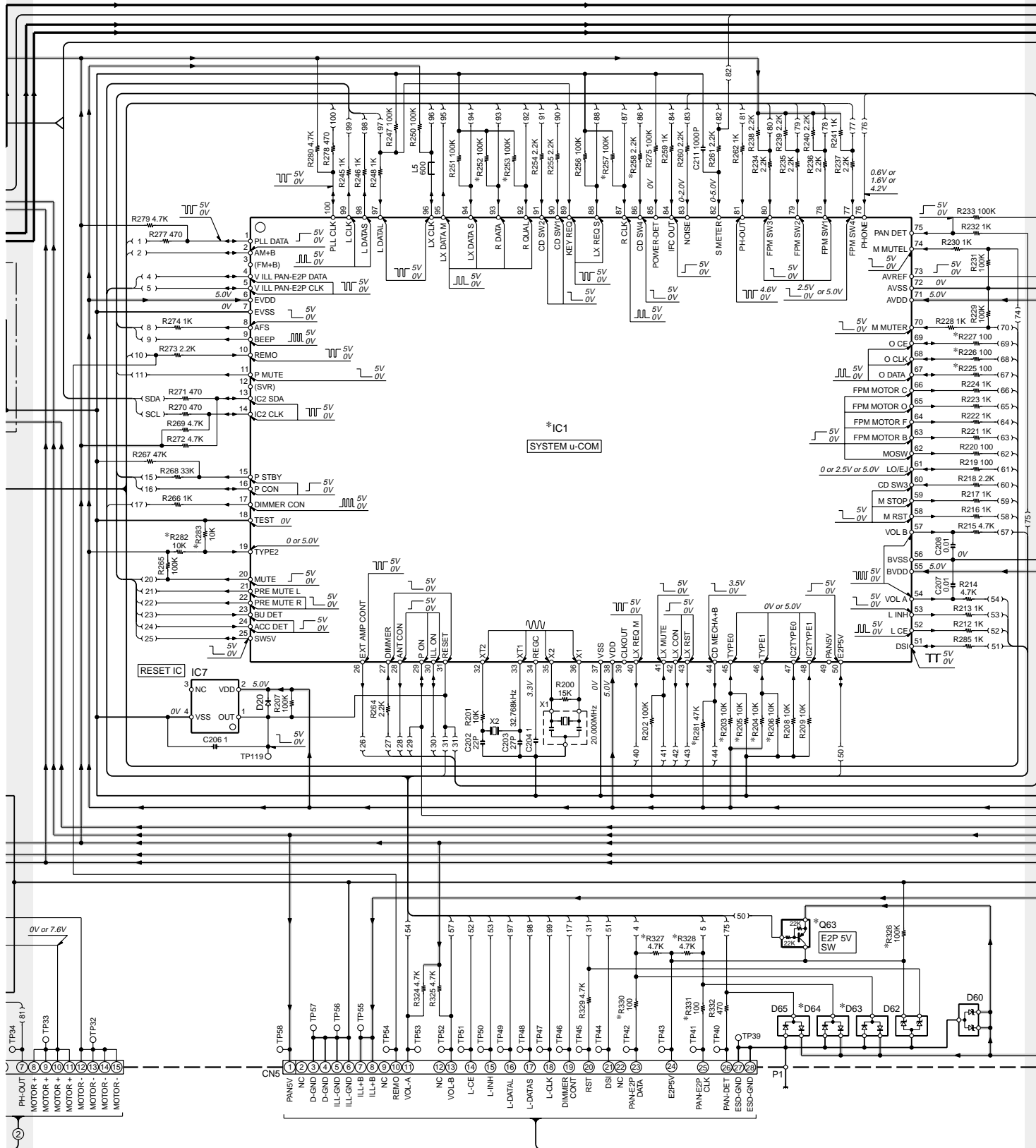
(X25-966:
MODEL NAME
FX-5000
KDC-MP8
KDC-V702
KDC-722
KDC-8023
KDC-M702
KDC-7024



KDC-V7022

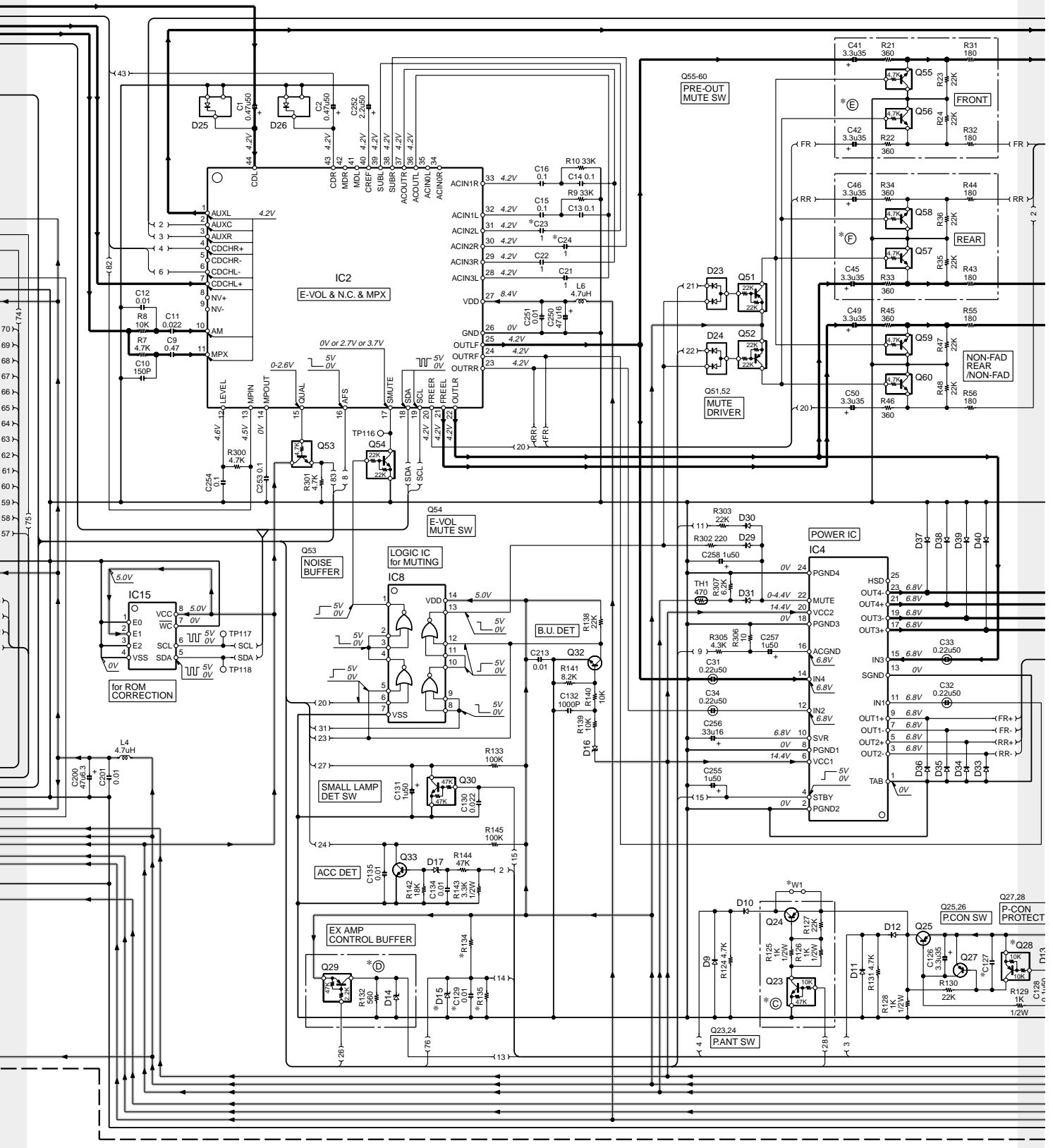
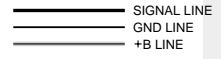
(X25-966X-XX)

MODEL NAME	UNIT No.	A	B	C	D	E	F	G	A1	C23, 24	C67	C68	C100	C127	C129	D15	D54, 55	D63, 64	IC1	Q28	Q63	R134	R135	R146	R147	R203,225-227, 308-311	R204	R205,252, 253,257	R206	R258, 320	R281	R282	R283	R326-328, 330,331	W1			
FX-5000	0-01	YES	YES	YES	YES	NO	NO	NO	X86-3730-01	YES	NO	NO	3900u16	1u6.3	YES	YES	NO	NO	UPD703030GC014	DTA124EU	YES	100K	47K	YES	YES	NO	YES	YES	NO	YES	YES	NO	NO	NO	NO	NO	NO	
KDC-MP822	0-10	YES	NO	YES	NO	YES	NO	NO	X86-3730-11	YES	YES	YES	2200u16	0.068u16	NO	NO	NO	NO	UPD703030GC015	DTA124EU	YES	100K	100K	NO	NO	NO	NO	NO	YES	YES	NO	NO	NO	NO	NO	NO	NO	NO
KDC-V7022	0-11	NO	YES	YES	NO	YES	NO	NO	X86-3730-11	YES	YES	NO	2200u16	0.068u16	NO	NO	NO	NO	UPD703030GC015	DTA124EU	YES	100K	100K	NO	NO	NO	NO	NO	YES	YES	NO	NO	NO	NO	NO	NO	NO	NO
KDC-722	0-12	NO	NO	YES	NO	YES	NO	NO	X86-3730-11	NO	YES	NO	2200u16	0.068u16	NO	NO	NO	NO	UPD703030GC015	DTA124EU	YES	100K	NO	NO	NO	NO	NO	NO	NO	NO	NO	NO	NO	NO	NO	NO	NO	NO
KDC-9023	0-21	NO	YES	YES	NO	YES	NO	NO	X86-3730-11	YES	YES	NO	2200u16	0.068u16	NO	NO	NO	NO	UPD703030GC015	DTA124EU	YES	100K	YES	NO	NO	NO	NO	YES	YES	NO	NO	NO	NO	NO	NO	NO	NO	NO
KDC-M7024	2-71	YES	NO	NO	YES	YES	NO	NO	X86-3732-70	YES	YES	NO	3900u16	0.068u16	YES	YES	YES	YES	UPD703030GC014	DTA124EU	YES	47K	22K	YES	YES	YES	YES	NO	NO	YES	NO	NO	NO	NO	NO	NO	NO	
KDC-7024Y	2-72	NO	NO	NO	YES	YES	NO	YES	X86-3732-70	YES	YES	NO	3900u16	0.068u16	YES	YES	YES	YES	UPD703030GC015	DTA124EU	YES	47K	22K	YES	YES	YES	YES	NO	NO	NO	NO	NO	NO	NO	NO	NO	NO	



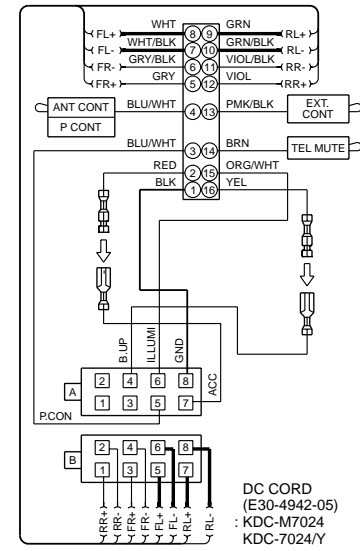
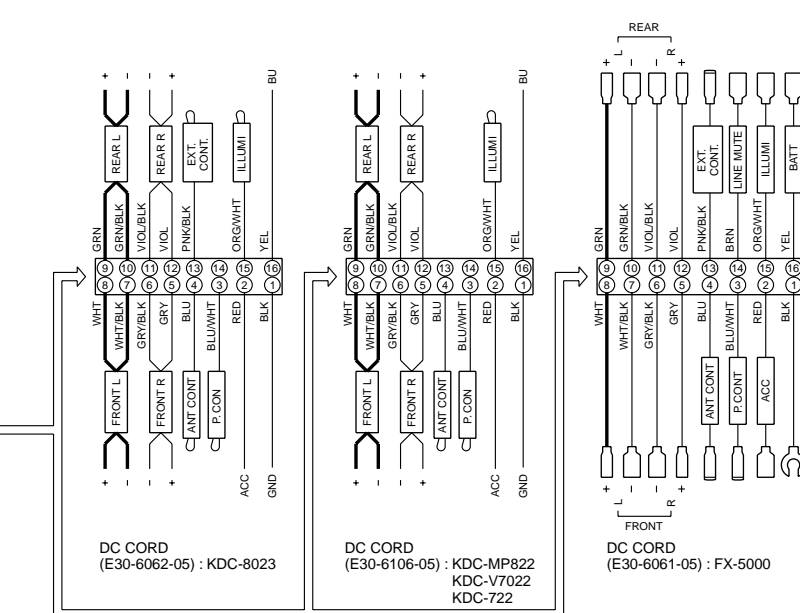
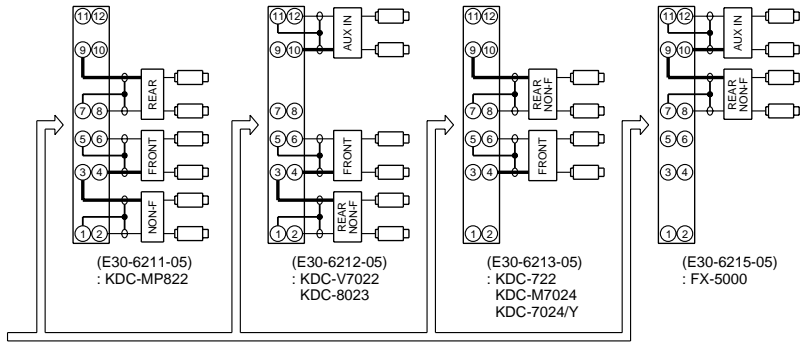
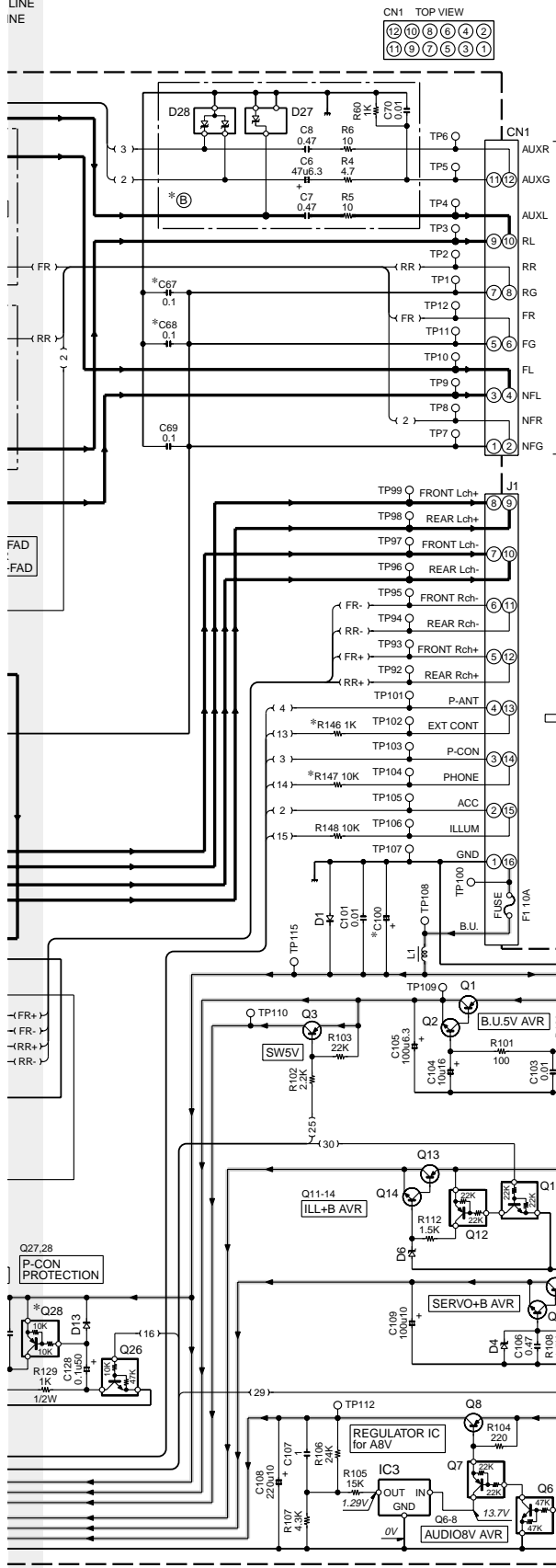
KDC-V7022

IC1 : *	Q1,8,9,13 : 2SA2057	Q23,26 : DTC114YUA or UN5214	D1 : 1N5393G-M5	D14 : MA4056-M	D63-65 : DA204U
IC2 : TDA7411	Q2,10,14,32-34 : 2SC4081	UN5214	D2 : RB160L-40	D15 : MA4047-M	D66 : IMSA-6801
IC3 : M5237ML	Q3,27 : 2SA1576A	Q24,25 : 2SB1240	D3 : MA4056(N)-M	D16 : MA4068(N)-M	
IC4 : TDA7560	Q4,7,12,28,51,52,63 : DTA124EUA or UN5112	Q28 : *	D4 : MA4062(N)-L	D17 : MA4062(N)-M	
IC5 : SI-805JD	UN5112	Q29 : DTA123JK or KRA105S	D5 : SFPB-54V	D23,24 : DAP202U or MA142WA	
IC7 : S-80837C/NNB	Q5,11,54,102 : UN5212	Q53,55-60,104 : DTC143TUA or UN5216	D6 : MA4110-L	D25-27,50 : RD6.8M(B2)	
IC8 : TC74HC02AF	UN5212	UN5216	D9-12,33-40 : 1SR154-400 or S1J	D28,51 : RD6.8MW	
IC12 : TDA7479D	Q6,30 : UN5213	Q103 : 2SB1188(Q,R)	D13,20,29-31 : 1SS133	D52-55,60,62 : MA3062WA	
IC13,14 : LB1930M					
IC15 : BR24C01AF-W					



KDC-V7022

AL LINE
LINE
NE

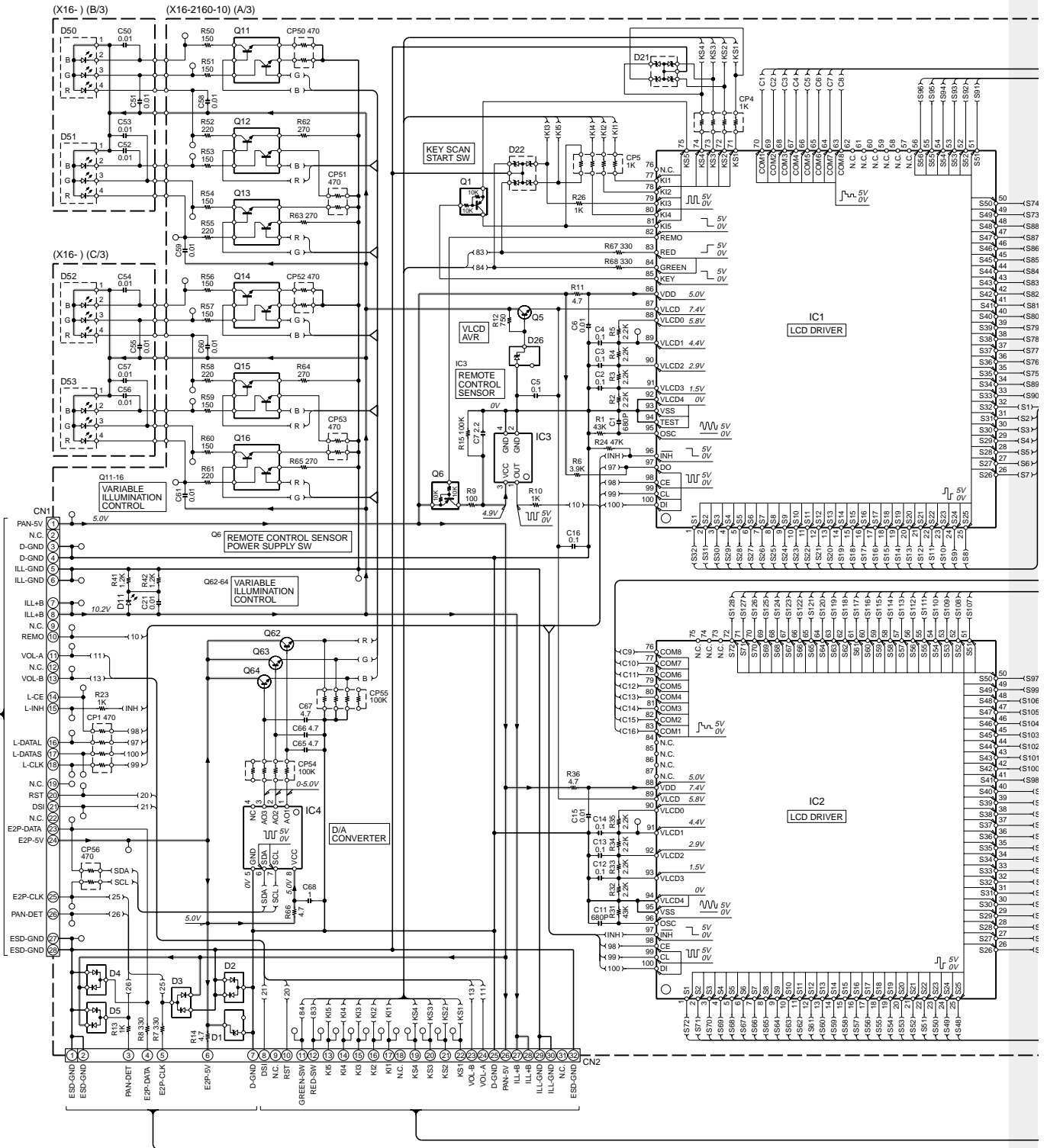


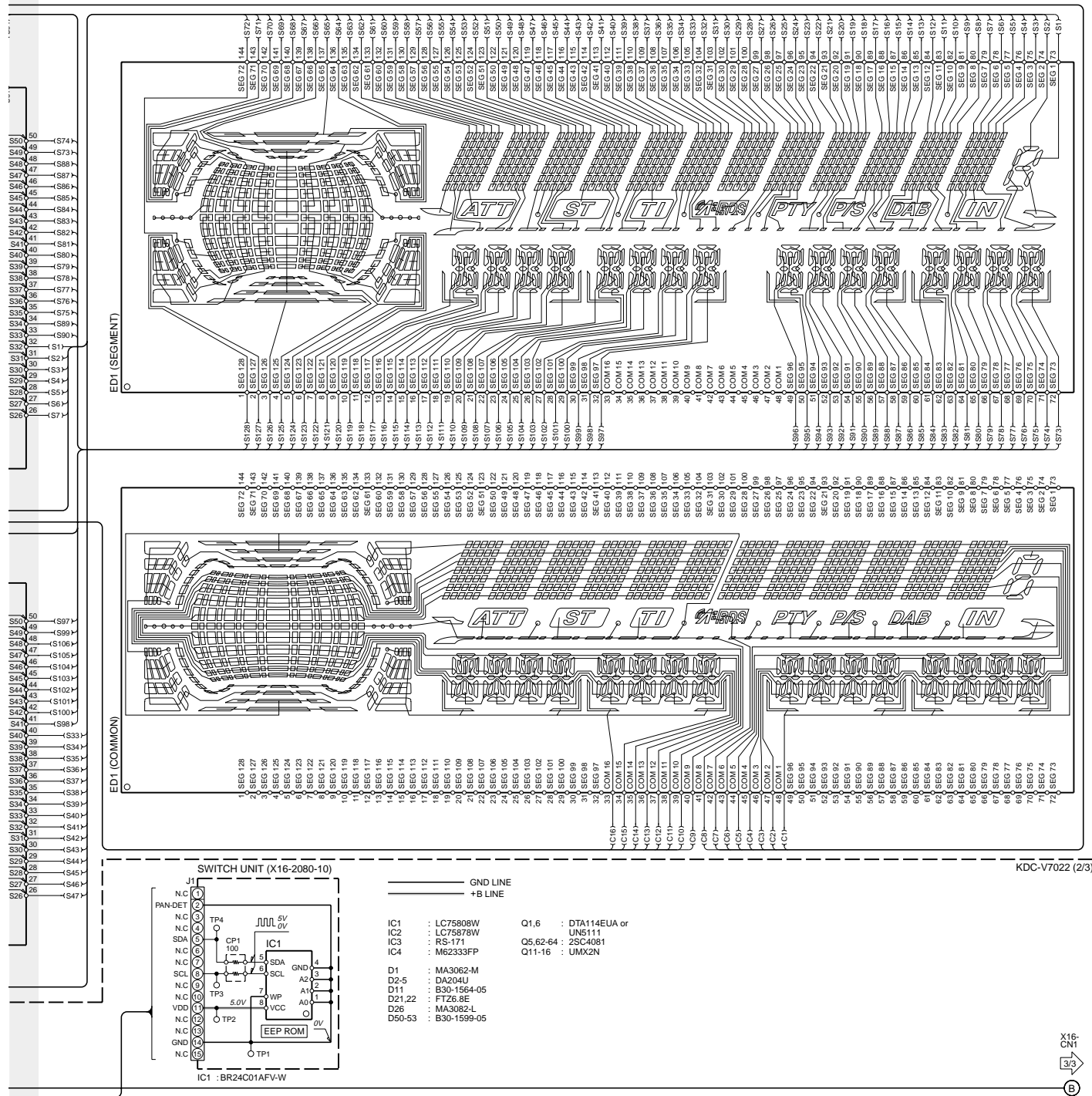
CAUTION : For continued safety, replace safety critical components only with manufacturer's recommended parts (refer to parts list).
 ⚠ Indicates safety critical components. To reduce the risk of electric shock, leakage-current or resistance measurements shall be carried out (exposed parts are acceptably insulated from the supply circuit) before the appliance is returned to the customer.
 • DC voltages are as measured with a high impedance voltmeter.
 Values may vary slightly due to variations between individual instruments or/and units.

KDC-V7022

AE AF AG AH AI

1
2
3
4
5
6
7





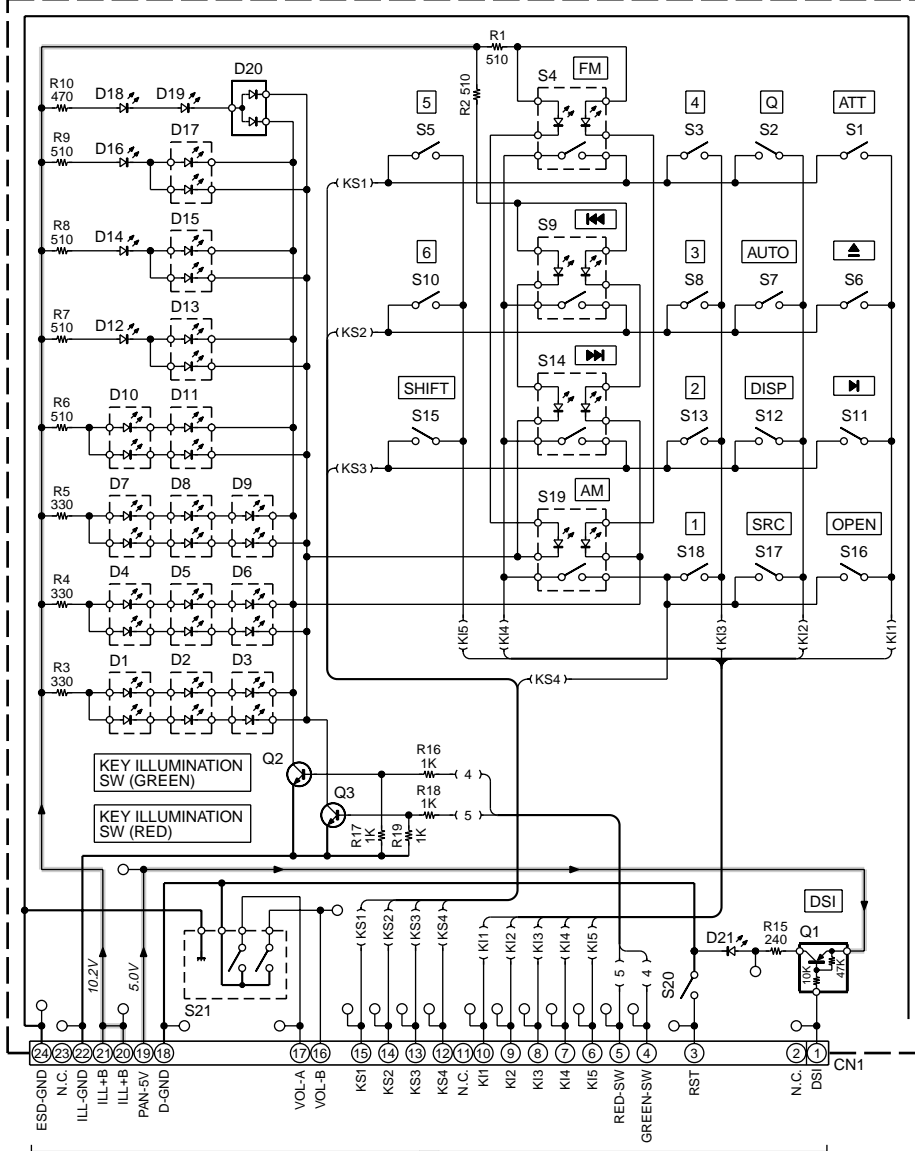
CAUTION : For continued safety, replace safety critical components only with manufacturer's recommended parts (refer to parts list).

△ Indicates safety critical components. To reduce the risk of electric shock, leakage-current or resistance measurements shall be carried out (exposed parts are acceptably insulated from the supply circuit) before the appliance is returned to the customer.

• DC voltages are as measured with a high impedance voltmeter. Values may vary slightly due to variations between individual instruments or/and units.

KDC-V7022

SWITCH UNIT (X16-2190-10)

X16-
CN2

2/3

B

———— GND LINE
 - - - - - +B LINE

Q1 : DTA114YUA or
 UN5114
 Q2,3 : 2SC4081
 D1-11,13,15,17
 : B30-1605-05
 D12,14,16,18,19,21
 : B30-1566-05
 D20 : DAP202U or
 MA142WA

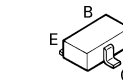
KDC-V7022 (3/3)

DTC114YUA
 DTC143TUA
 UN5111
 UN5114
 UN5213
 UN5214
 UN5216
 2SA1362
 2SA1576A

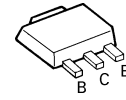
MA142WA
 UN5212



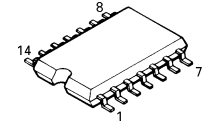
RD6.8M



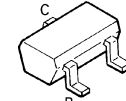
2SB1188



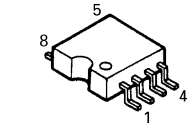
TC74HC02AF



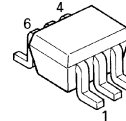
2SC4081



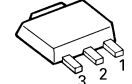
BR24C01AF-W



UMX2N

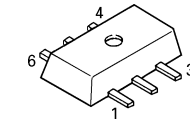
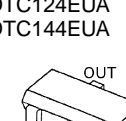


M5237ML

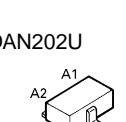


DTA114EUA
 DTA124EUA
 DTC124EUA
 DTC144EUA

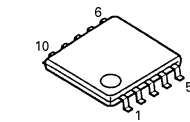
MCH6101



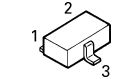
DAN202U



LB1930M



DAP202U
 DA204U
 DTA114YUA



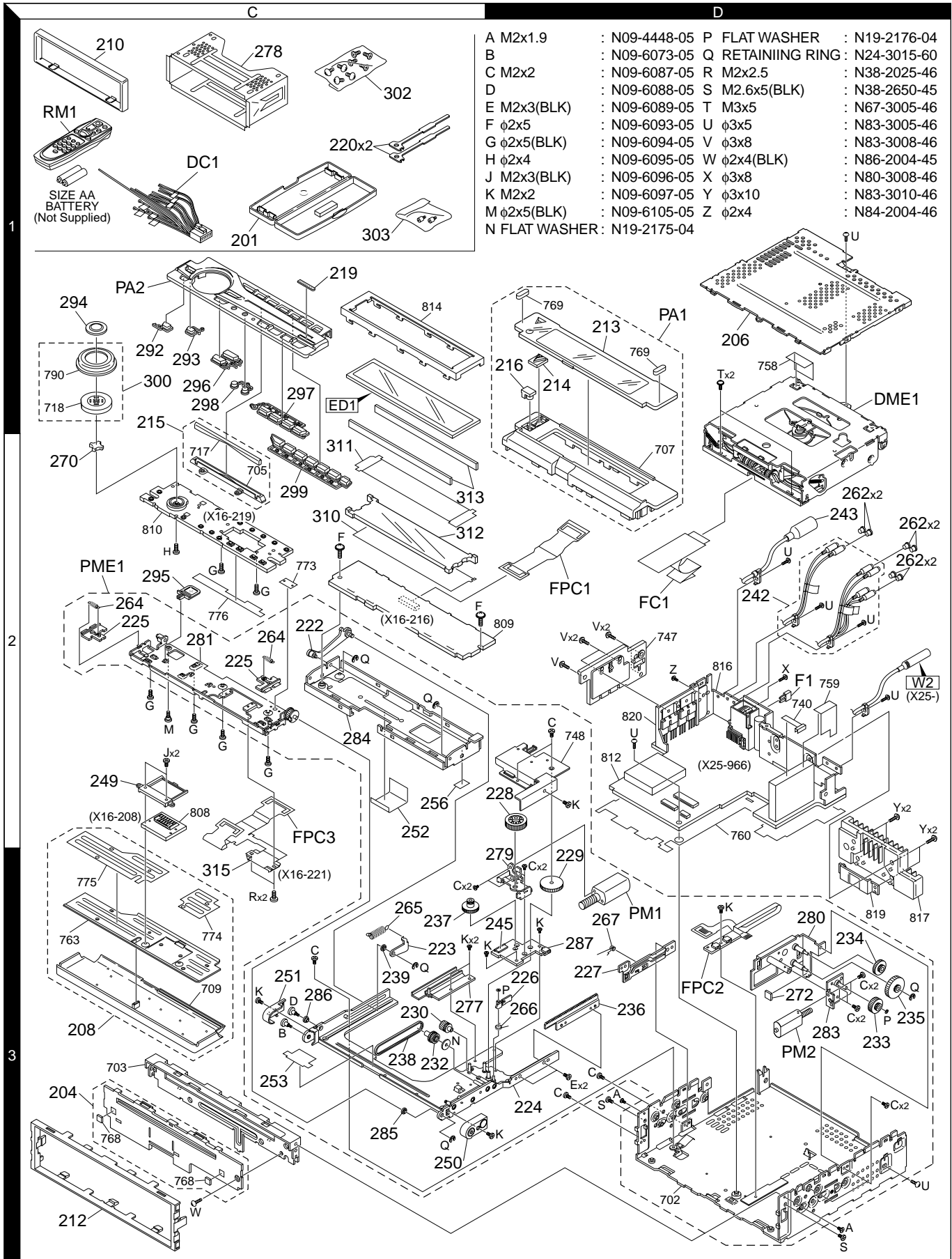
CAUTION : For continued safety, replace safety critical components only with manufacturer's recommended parts (refer to parts list).

△ Indicates safety critical components. To reduce the risk of electric shock, leakage-current or resistance measurements shall be carried out (exposed parts are acceptably insulated from the supply circuit) before the appliance is returned to the customer.

- DC voltages are as measured with a high impedance voltmeter. Values may vary slightly due to variations between individual instruments or/and units.

KDC-V7022

EXPLODED VIEW (UNIT)



PARTS LIST

* New parts

Parts without **Parts No.** are not supplied.

Les articles non mentionnés dans le **Parts No.** ne sont pas fournis.

Teile ohne **Parts No.** werden nicht geliefert.

Ref. No.	A d d	N e w	Parts No.	Description	Desti- nation	Ref. No.	A d d	N e w	Parts No.	Description	Desti- nation
KDC-V7022						264	2C	*	G01-3162-04	EXTENSION SPRING	
201	1C	*	A02-2731-03	PLASTIC CABINET ASSY		265	3C	*	G01-3188-04	EXTENSION SPRING	
204	3C	*	A22-2988-03	SUB PANEL ASSY		266	3C	*	G01-3189-04	TORSION COIL SPRING	
206	1D	*	A52-0831-02	TOP PLATE		267	3D	*	G01-3199-04	TORSION COIL SPRING	
PA1	1D	*	A64-2979-01	PANEL ASSY		270	2C	*	G11-3539-04	CUSHION (VOL)	
PA2	1C		A64-2995-02	PANEL ASSY		272	3D	*	G11-3559-04	CUSHION	
PME1	2C	*	A10-5029-11	CHASSIS ASSY		-		*	H10-4854-12	POLYSTYRENE FOAMED FIXTURE	
RM1	1C		A70-2040-05	REMOTE CONTROLLER ASSY (RC-505)		-		*	H21-1151-04	PROTECTION SHEET	
-			B46-0100-50	WARRANTY CARD		-			H25-0329-04	PROTECTION BAG (280X450X0.03)	
-			B46-0606-04	ID CARD		-			H25-0337-04	PROTECTION BAG (180X300X0.03)	
-		*	B46-0653-03	USER CARD		-		*	H54-2719-03	ITEM CARTON CASE	
-			B64-2460-00	INSTRUCTION MANUAL (ENGLISH)		277	3C	*	J19-5220-03	HOLDER	
-		*	B64-2461-10	INSTRUCTION MANUAL (FRE.SPA.)		278	1C		J21-9823-03	MOUNTING HARDWARE ASSY	
208	3C		B03-5015-03	DRESSING PLATE ASSY		279	3D	*	J21-9951-03	MOUNTING HARDWARE ASSY	
210	1C	*	B07-3078-01	ESCUTCHEON		280	3D	*	J21-9954-02	MOUNTING HARDWARE ASSY	
212	3C	*	B07-3080-02	ESCUTCHEON		281	2C	*	J21-9956-12	MOUNTING HARDWARE ASSY	
213	1D	*	B10-4386-01	FRONT GLASS		283	3D	*	J21-9997-03	MOUNTING HARDWARE ASSY	
214	1C	*	B12-1221-04	INDICATOR		284	2C	*	J21-9999-02	MOUNTING HARDWARE ASSY	
215	1C	*	B12-1222-03	INDICATOR ASSY		285	3C	*	J31-1055-04	COLLAR	
216	1C	*	B19-2201-04	LIGHTING BOARD		286	3C	*	J31-1056-04	COLLAR	
219	1C	*	B43-1505-04	KENWOOD BADGE		287	3D	*	J74-1444-04	RIGID PRINTED WIRING BOARD	
220	1C		D10-4674-04	LEVER		FPC1	2D	*	J84-0153-05	FLEXIBLE PRINTED WIRING BOARD	
222	2C	*	D10-4716-04	ARM ASSY		FPC2	3D	*	J84-0156-04	FLEXIBLE PRINTED WIRING BOARD	
223	3C	*	D10-4718-04	ARM ASSY		292	1C	*	K24-4004-04	KNOB (PLAY)	
224	3D	*	D10-4721-11	SLIDER ASSY		293	1C	*	K24-4005-04	KNOB (EJECT)	
225	2C	*	D10-4749-03	LEVER		294	1C	*	K24-4006-04	KNOB (ATT)	
226	3D	*	D10-4750-04	LEVER		295	2C	*	K24-4007-04	KNOB (OPEN)	
227	3D	*	D12-0637-03	CAM		296	1C	*	K25-1527-03	KNOB (SRC,Q)	
228	2D	*	D13-2270-04	GEAR		297	1C	*	K25-1529-03	KNOB (AM/FM)	
229	3D	*	D13-2272-04	GEAR		298	1C	*	K25-1530-04	KNOB (SCRL)	
230	3C	*	D13-2273-14	GEAR		299	2C	*	K25-1528-03	KNOB (1-6)	
232	3C	*	D13-2274-14	GEAR		300	1C	*	K29-7031-03	KNOB ASSY (VOL)	
233	3D	*	D13-2276-04	GEAR		302	1C		N99-1723-05	SCREW SET	
234	3D	*	D13-2277-04	GEAR		303	1C	*	N99-1734-05	SCREW SET	
235	3D	*	D13-2278-04	GEAR		A	3D		N09-4448-05	MACHINE SCREW	
236	3D	*	D13-2289-03	RACK (GEAR)		B	3C	*	N09-6073-05	STEPPED SCREW	
237	3C	*	D13-2290-04	GEAR ASSY		C	3D	*	N09-6087-05	MACHINE SCREW	
238	3C	*	D16-0617-05	BELT		D	3C	*	N09-6088-05	STEPPED SCREW	
239	3C	*	D23-0958-04	RETAINER		E	3D	*	N09-6089-05	MACHINE SCREW	
242	2D	*	E30-6212-05	CORD WITH PINPLUG (2PR+1AUX)		F	2C	*	N09-6093-05	TAPTITE SCREW	
243	2D	*	E30-6216-05	CORD WITH DIN CONNECTOR (CH)		G	2C	*	N09-6094-05	MACHINE SCREW	
245	3D	*	E41-0351-05	FLAT CABLE CONNECTOR		H	2C	*	N09-6095-05	MACHINE SCREW	
DC1	1C		E30-6106-05	DC CORD		J	2C	*	N09-6096-05	MACHINE SCREW	
FC1	2D	*	E39-0565-05	FLAT CABLE		K	3C	*	N09-6097-05	MACHINE SCREW	
249	2C	*	F07-1121-03	COVER		M	2C	*	N09-6105-05	STEPPED SCREW	
250	3C	*	F07-1122-03	COVER		N	2C	*	N19-2175-04	FLAT WASHER	
251	3C	*	F07-1123-03	COVER		P	3D	*	N19-2176-04	FLAT WASHER	
252	2C	*	F09-1794-04	SHEET		Q	2C		N24-3015-60	E TYPE RETAINING RING	
253	3C	*	F09-1798-04	SHEET		R	3C		N38-2025-46	PAN HEAD MACHIN SCREW	
256	2D	*	F09-1842-04	SHEET		S	3D	*	N38-2650-45	PAN HEAD MACHIN SCREW	
262	2D		F29-0049-05	INSULATING COVER		T	2D		N67-3005-46	PAN HEAD SEMS SCREW	
F1	2D		F52-0006-05	FUSE (MINI BLADE TYPE)		U	2D		N83-3005-46	PAN HEAD TAPTITE SCREW	
						V	2D		N83-3008-46	PAN HEAD TAPTITE SCREW	

K : North America

△ Indicates safety critical components.

PARTS LIST

* New parts

Parts without **Parts No.** are not supplied.

Les articles non mentionnés dans le **Parts No.** ne sont pas fournis.

Teile ohne **Parts No.** werden nicht geliefert.

KDC-V7022

Ref. No.	A d	N e w	Parts No.	Description	Desti- nation
W	3C		N86-2004-45	BINDING HEAD TAPTITE SCREW	
RLED			RK73GB2A102J	CHIP R 1.0K J 1/10W	
RPH			RK73GB2A104J	CHIP R 100K J 1/10W	
SW1			S68-0871-05	PUSH SWITCH (PANEL MECHA)	
SW2-3			S68-0863-05	PUSH SWITCH (PANEL MECHA)	
SW4			S68-0864-05	PUSH SWITCH (PANEL MECHA)	
PH			T95-0212-05	OPTO ISOLATOR (PANEL MECHA)	
PM1	3D	*	T42-1076-14	MOTOR ASSY	
PM2	3D	*	T42-1077-04	MOTOR ASSY	
DME1	2D		X92-4450-01	MECHANISM ASSY	
SUB-CIRCUIT UNIT (X16-2080-10)					
J1			E59-0833-15	RECTANGULAR PLUG	
CP1			R90-1019-05	MULTI-COMP 100 X2	
IC1		*	BR24C01AFV-W	MEMORY IC	
SUB-CIRCUIT UNIT (X16-2160-10)					
310	2C	*	B11-1405-04	REFLECTION SHEET	
311	2C	*	B11-1408-04	OPTICAL DIFFUSER	
312	2C	*	B19-2204-02	LIGHTING BOARD	
D11			B30-1564-05	LED (1608, BLUE)	
D50-53			B30-1599-05	LED (NICHIA FULL)	
ED1		*	B38-1118-05	LIQUID CRYSTAL	
C1			CC73GCH1H681J	CHIP C 680PF J	
C2-5			CK73GB1C104K	CHIP C 0.10UF K	
C2-5			CK73GB1H104K	CHIP C 0.10UF K	
C6			CK73GB1H103K	CHIP C 0.010UF K	
C7			CK73FB1A225K	CHIP C 2.2UF K	
C11			CC73GCH1H681J	CHIP C 680PF J	
C12-14			CK73GB1C104K	CHIP C 0.10UF K	
C12-14			CK73GB1H104K	CHIP C 0.10UF K	
C15			CK73GB1H103K	CHIP C 0.010UF K	
C16			CK73GB1C104K	CHIP C 0.10UF K	
C16			CK73GB1H104K	CHIP C 0.10UF K	
C21			CK73GB1H103K	CHIP C 0.010UF K	
C50-61			CK73GB1H103K	CHIP C 0.010UF K	
C65-67			CK73FB0J475K	CHIP C 4.7UF K	
C68			CK73GB0J105K	CHIP C 1.0UF K	
313	2C	*	E29-1930-04	CONDUCTIVE RUBBER	
CN1			E40-9364-05	FLAT CABLE CONNECTOR	
CN2			E41-0166-05	FLAT CABLE CONNECTOR	
CP1			R90-1016-05	MULTI-COMP 470 X4	
CP4,5			R90-0724-05	MULTI-COMP 1K X4	
CP50-53			R90-1022-05	MULTI-COMP 470 X2	
CP54,55			R90-0720-05	MULTI-COMP 100K X4	
CP56			R90-1022-05	MULTI-COMP 470 X2	
R1			RK73GB2A433J	CHIP R 43K J 1/10W	
R2-5			RK73GB2A222J	CHIP R 2.2K J 1/10W	
R6			RK73GB2A392J	CHIP R 3.9K J 1/10W	
R7,8			RK73GB2A331J	CHIP R 330 J 1/10W	
R9			RK73GB2A101J	CHIP R 100 J 1/10W	

Ref. No.	A d	N e w	Parts No.	Description	Desti- nation
R10			RK73GB2A102J	CHIP R 1.0K J 1/10W	
R11			RK73GB2A4R7J	CHIP R 4.7 J 1/10W	
R12			RK73GB2A751J	CHIP R 750 J 1/10W	
R13			RK73GB2A102J	CHIP R 1.0K J 1/10W	
R14			RK73GB2A4R7J	CHIP R 4.7 J 1/10W	
R15			RK73GB2A104J	CHIP R 100K J 1/10W	
R23			RK73GB2A102J	CHIP R 1.0K J 1/10W	
R24			RK73GB2A473J	CHIP R 47K J 1/10W	
R26			RK73GB2A102J	CHIP R 1.0K J 1/10W	
R31			RK73GB2A433J	CHIP R 43K J 1/10W	
R32-35			RK73GB2A222J	CHIP R 2.2K J 1/10W	
R36			RK73GB2A4R7J	CHIP R 4.7 J 1/10W	
R41,42			RK73GB2A122J	CHIP R 1.2K J 1/10W	
R50,51			RK73GB2A151J	CHIP R 150 J 1/10W	
R52			RK73GB2A221J	CHIP R 220 J 1/10W	
R53,54			RK73GB2A151J	CHIP R 150 J 1/10W	
R55			RK73GB2A221J	CHIP R 220 J 1/10W	
R56,57			RK73GB2A151J	CHIP R 150 J 1/10W	
R58			RK73GB2A221J	CHIP R 220 J 1/10W	
R59,60			RK73GB2A151J	CHIP R 150 J 1/10W	
R61			RK73GB2A221J	CHIP R 220 J 1/10W	
R62-65			RK73GB2A271J	CHIP R 270 J 1/10W	
R66			RK73GB2A4R7J	CHIP R 4.7 J 1/10W	
R67,68			RK73GB2A331J	CHIP R 330 J 1/10W	
D1			MA3062-M	ZENER DIODE	
D2-5			DA204U	DIODE	
D21,22			FT26.8E	ZENER DIODE	
D26			MA3082-L	ZENER DIODE	
IC1			LC75808W	MOS-IC	
IC2			LC75878W	MOS-IC	
IC3			RS-171	ANALOGUE IC	
IC4			M62333FP	MOS-IC	
Q1			DTA114EUA	DIGITAL TRANSISTOR	
Q1			UN5111	DIGITAL TRANSISTOR	
Q5			2SC4081	TRANSISTOR	
Q6			DTA114EUA	DIGITAL TRANSISTOR	
Q6			UN5111	DIGITAL TRANSISTOR	
Q11-16			UMX2N	TRANSISTOR	
Q62-64			2SC4081	TRANSISTOR	
SWITCH UNIT (X16-2190-10)					
D1-11			B30-1605-05	LED (2COLOR PG/RED)	
D12			B30-1566-05	LED (1608, RED)	
D13			B30-1605-05	LED (2COLOR PG/RED)	
D14			B30-1566-05	LED (1608, RED)	
D15			B30-1605-05	LED (2COLOR PG/RED)	
D16			B30-1566-05	LED (1608, RED)	
D17			B30-1605-05	LED (2COLOR PG/RED)	
D18,19			B30-1566-05	LED (1608, RED)	
D21			B30-1566-05	LED (1608, RED)	
CN1		*	E41-0419-05	FLAT CABLE CONNECTOR	
R1,2			RK73FB2B511J	CHIP R 510 J 1/8W	
R3-5			RK73FB2B331J	CHIP R 330 J 1/8W	
R6-9			RK73FB2B511J	CHIP R 510 J 1/8W	
R10			RK73FB2B471J	CHIP R 470 J 1/8W	

K : North America

△ Indicates safety critical components.

PARTS LIST

* New parts

Parts without **Parts No.** are not supplied.

Les articles non mentionnés dans le **Parts No.** ne sont pas fournis.

Teile ohne **Parts No.** werden nicht geliefert.

SWITCH UNIT (X16-2190-10)

Ref. No.	Add	New	Parts No.	Description	Destination	Ref. No.	Add	New	Parts No.	Description	Destination
R15			RK73GB2A241J	CHIP R 240 J 1/10W		C128			CE04NW1H0R1M	ELECTRO 0.1UF 50WV	
R16-19			RK73GB2A102J	CHIP R 1.0K J 1/10W		C130			CK73GB1E223K	CHIP C 0.022UF K	
S1		*	S70-0901-05	TACT SWITCH		C130			CK73GB1H223K	CHIP C 0.022UF K	
S2,3			S70-0864-05	TACT SWITCH		C131			CE04NW1H010M	ELECTRO 1.0UF 50WV	
S4			S70-0856-05	TACT SWITCH		C132			CK73GB1H102K	CHIP C 1000PF K	
S5-8			S70-0864-05	TACT SWITCH		C134,135			CK73GB1H103K	CHIP C 0.010UF K	
S9			S70-0856-05	TACT SWITCH		C200			CE04NW0J470M	ELECTRO 47UF 6.3WV	
S10-13			S70-0864-05	TACT SWITCH		C201			CK73GB1H103K	CHIP C 0.010UF K	
S14			S70-0856-05	TACT SWITCH		C202			CC73GCH1H220J	CHIP C 22PF J	
S15-18			S70-0864-05	TACT SWITCH		C203			CC73GCH1H270J	CHIP C 27PF J	
S19			S70-0856-05	TACT SWITCH		C204			CK73GB0J105K	CHIP C 1.0UF K	
S20			S70-0864-05	TACT SWITCH		C206			CK73GB0J105K	CHIP C 1.0UF K	
S21		*	T99-0445-05	ROTARY ENCODER		C207,208			CK73GB1H103K	CHIP C 0.010UF K	
D20			DAP202U	DIODE		C211			CK73GB1H102K	CHIP C 1000PF K	
D20			MA142WA	DIODE		C213			CK73GB1H103K	CHIP C 0.010UF K	
Q1			DTA114YUA	DIGITAL TRANSISTOR		C250			CE04NW1C470M	ELECTRO 47UF 16WV	
Q1			UN5114	DIGITAL TRANSISTOR		C251			CK73GB1H103K	CHIP C 0.010UF K	
Q2,3			2SC4081	TRANSISTOR		C252			CE04NW1H2R2M	ELECTRO 2.2UF 50WV	
SUB-CIRCUIT UNIT (X16-2210-10)						C253,254			CK73GB1C104K	CHIP C 0.10UF K	
315	2C	*	E58-0968-05	RECTANGULAR RECEPTACLE		C255			CE04NW1H010M	ELECTRO 1.0UF 50WV	
FPC3	2C	*	J84-0154-05	FLEXIBLE PRINTED WIRING BOARD		C256			CE04NW1C330M	ELECTRO 33UF 16WV	
ELECTRIC UNIT (X25-9660-11)						C257			C90-2935-05	ELECTRO 1.0UF 50WV	
C1,2			CE04NW1HR47M	ELECTRO 0.47UF 50WV		C258			CE04NW1H010M	ELECTRO 1.0UF 50WV	
C3,4			CK73FB1C474K	CHIP C 0.47UF K		C259-262			CK73GB1A224K	CHIP C 0.22UF K	
C5,6			CE04NW0J470M	ELECTRO 47UF 6.3WV		C401			CK73GB1H103K	CHIP C 0.010UF K	
C7,8			CK73FB1C474K	CHIP C 0.47UF K		C403			CK73GB1H103K	CHIP C 0.010UF K	
C9			CK73GB1A474K	CHIP C 0.47UF K		C405			CK73GB1H103K	CHIP C 0.010UF K	
C10			CC73GCH1H151J	CHIP C 150PF J		C407			CK73GB1H103K	CHIP C 0.010UF K	
C11			CK73GB1E223K	CHIP C 0.022UF K		CN1			E41-0224-05	PIN ASSY	
C11			CK73GB1H223K	CHIP C 0.022UF K		CN2			E40-3237-05	PIN ASSY	
C12			CK73GB1H103K	CHIP C 0.010UF K		CN3	*		E41-0384-05	PIN ASSY	
C13-16			CK73FB1H104K	CHIP C 0.10UF K		CN4			E40-9527-05	FLAT CABLE CONNECTOR	
C21-24			CK73FB1C105K	CHIP C 1.0UF K		CN4			E41-0213-05	FLAT CABLE CONNECTOR	
C31-34			C90-5296-05	NP-ELECT 0.22UF 50WV		CN5			E40-9368-05	FLAT CABLE CONNECTOR	
C41,42			CE04NW1V3R3M	ELECTRO 3.3UF 35WV		CN6	*		E41-0399-05	FLAT CABLE CONNECTOR	
C49,50			CE04NW1V3R3M	ELECTRO 3.3UF 35WV		CN7			E41-0009-05	PIN ASSY	
C67			CK73FB1H104K	CHIP C 0.10UF K		J1			E58-0863-15	RECTANGULAR RECEPTACLE	
C69			CK73FB1H104K	CHIP C 0.10UF K		W2	*		E30-6218-05	CORD WITH PLUG	
C70,71			CK73GB1H103K	CHIP C 0.010UF K		L1			L33-1170-05	CHOKE COIL ASSY	
C100			C90-5235-05	ELECTRO 2200UF 16WV		L4			L40-4795-91	SMALL FIXED INDUCTOR (4.7UH,J)	
C101			CK73GB1H103K	CHIP C 0.010UF K		L5			L92-0075-05	CHIP FERRITE	
C102			C90-2866-05	ELECTRO 220UF 16WV		L6			L40-4795-91	SMALL FIXED INDUCTOR (4.7UH,J)	
C103			CK73GB1H103K	CHIP C 0.010UF K		L7			L33-1039-05	LINE FILTER COIL	
C104			CE04NW1C100M	ELECTRO 10UF 16WV		L11,12			L40-4795-34	SMALL FIXED INDUCTOR	
C105			CE04NW0J101M	ELECTRO 100UF 6.3WV		L11,12			L40-4795-68	SMALL FIXED INDUCTOR (4.7UH)	
C106			CK73GB1A474K	CHIP C 0.47UF K		X1			L78-0821-05	RESONATOR	
C107			CK73FB1C105K	CHIP C 1.0UF K		X2			L77-2738-05	CRYSTAL RESONATOR	
C108			CE04CW1A221M	ELECTRO 220UF 10WV		U	2D		N83-3005-46	PAN HEAD TAPTITE SCREW	
C109			CE04CW1A101M	ELECTRO 100UF 10WV		X	2D		N80-3008-46	PAN HEAD TAPTITE SCREW	
C126			CE04NW1V3R3M	ELECTRO 3.3UF 35WV		Y	2D		N83-3010-46	PAN HEAD TAPTITE SCREW	
C127			CK73GB1C683K	CHIP C 0.068UF K		Z	2D		N84-2004-46	PAN HEAD TAPTITE SCREW	
C127			CK73GB1H683K	CHIP C 0.068UF K		R1,2			RK73EB2E100J	CHIP R 10 J 1/4W	
						R3,4			RK73EB2E4R7J	CHIP R 4.7 J 1/4W	

K : North America

△ Indicates safety critical components.

PARTS LIST

* New parts

Parts without **Parts No.** are not supplied.

Les articles non mentionnés dans le **Parts No.** ne sont pas fournis.

Teile ohne **Parts No.** werden nicht geliefert.

ELECTRIC UNIT (X25-9660-11)

Ref. No.	A d d	N e w	Parts No.	Description	Desti- nation
R5,6			RK73EB2E100J	CHIP R 10 J 1/4W	
R7			RK73GB2A472J	CHIP R 4.7K J 1/10W	
R8			RK73GB2A103J	CHIP R 10K J 1/10W	
R9,10			RK73FB2B333J	CHIP R 33K J 1/8W	
R21,22			RK73GB2A361J	CHIP R 360 J 1/10W	
R23,24			RK73GB2A223J	CHIP R 22K J 1/10W	
R31,32			RK73EB2E181J	CHIP R 180 J 1/4W	
R45,46			RK73GB2A361J	CHIP R 360 J 1/10W	
R47,48			RK73GB2A223J	CHIP R 22K J 1/10W	
R55,56			RK73EB2E181J	CHIP R 180 J 1/4W	
R60,61			RK73GB2A102J	CHIP R 1.0K J 1/10W	
R100			RK73FB2B223J	CHIP R 22K J 1/8W	
R101			RK73GB2A101J	CHIP R 100 J 1/10W	
R102			RK73GB2A222J	CHIP R 2.2K J 1/10W	
R103			RK73GB2A223J	CHIP R 22K J 1/10W	
R104			RK73FB2B221J	CHIP R 220 J 1/8W	
R105			RK73GB2A153J	CHIP R 15K J 1/10W	
R106			R92-3047-05	CHIP R 24K D 1/10W	
R107			R92-3032-05	CHIP R 4.3K D 1/10W	
R108			RK73FB2B152J	CHIP R 1.5K J 1/8W	
R112			RK73FB2B152J	CHIP R 1.5K J 1/8W	
R124			RK73FB2B472J	CHIP R 4.7K J 1/8W	
R125,126			RD14DB2H102J	SMALL-RD 1.0K J 1/2W	
R127			RK73GB2A223J	CHIP R 22K J 1/10W	
R128,129			RD14DB2H102J	SMALL-RD 1.0K J 1/2W	
R130			RK73GB2A223J	CHIP R 22K J 1/10W	
R131			RK73FB2B472J	CHIP R 4.7K J 1/8W	
R133			RK73GB2A104J	CHIP R 100K J 1/10W	
R135			RK73GB2A104J	CHIP R 100K J 1/10W	
R138			RK73GB2A223J	CHIP R 22K J 1/10W	
R139			RK73FB2B103J	CHIP R 10K J 1/8W	
R140			RK73GB2A103J	CHIP R 10K J 1/10W	
R141			RK73GB2A822J	CHIP R 8.2K J 1/10W	
R142			RK73GB2A183J	CHIP R 18K J 1/10W	
R143			RD14DB2H332J	SMALL-RD 3.3K J 1/2W	
R144			RK73EB2E473J	CHIP R 47K J 1/4W	
R145			RK73GB2A104J	CHIP R 100K J 1/10W	
R148			RK73EB2E103J	CHIP R 10K J 1/4W	
R200			RK73GB2A153J	CHIP R 15K J 1/10W	
R201			RK73GB2A103J	CHIP R 10K J 1/10W	
R202			RK73GB2A104J	CHIP R 100K J 1/10W	
R205,206			RK73GB2A103J	CHIP R 10K J 1/10W	
R207			RK73GB2A104J	CHIP R 100K J 1/10W	
R208,209			RK73GB2A103J	CHIP R 10K J 1/10W	
R212,213			RK73GB2A102J	CHIP R 1.0K J 1/10W	
R214,215			RK73GB2A472J	CHIP R 4.7K J 1/10W	
R216,217			RK73GB2A102J	CHIP R 1.0K J 1/10W	
R218			RK73GB2A222J	CHIP R 2.2K J 1/10W	
R219,220			RK73GB2A101J	CHIP R 100 J 1/10W	
R221-224			RK73GB2A102J	CHIP R 1.0K J 1/10W	
R228			RK73GB2A102J	CHIP R 1.0K J 1/10W	
R229			RK73GB2A104J	CHIP R 100K J 1/10W	
R230			RK73GB2A102J	CHIP R 1.0K J 1/10W	
R231			RK73GB2A104J	CHIP R 100K J 1/10W	
R232			RK73GB2A102J	CHIP R 1.0K J 1/10W	

Ref. No.	A d d	N e w	Parts No.	Description	Desti- nation
R233			RK73GB2A104J	CHIP R 100K J 1/10W	
R234-240			RK73GB2A222J	CHIP R 2.2K J 1/10W	
R241			RK73GB2A102J	CHIP R 1.0K J 1/10W	
R245,246			RK73GB2A102J	CHIP R 1.0K J 1/10W	
R247			RK73GB2A104J	CHIP R 100K J 1/10W	
R248			RK73GB2A102J	CHIP R 1.0K J 1/10W	
R250-253			RK73GB2A104J	CHIP R 100K J 1/10W	
R254,255			RK73GB2A222J	CHIP R 2.2K J 1/10W	
R256,257			RK73GB2A104J	CHIP R 100K J 1/10W	
R259			RK73GB2A102J	CHIP R 1.0K J 1/10W	
R260,261			RK73GB2A222J	CHIP R 2.2K J 1/10W	
R262			RK73GB2A102J	CHIP R 1.0K J 1/10W	
R264			RK73GB2A222J	CHIP R 2.2K J 1/10W	
R265			RK73GB2A104J	CHIP R 100K J 1/10W	
R266			RK73GB2A102J	CHIP R 1.0K J 1/10W	
R267			RK73GB2A473J	CHIP R 47K J 1/10W	
R268			RK73GB2A333J	CHIP R 33K J 1/10W	
R269			RK73GB2A472J	CHIP R 4.7K J 1/10W	
R270,271			RK73GB2A471J	CHIP R 470 J 1/10W	
R272			RK73GB2A472J	CHIP R 4.7K J 1/10W	
R273			RK73GB2A222J	CHIP R 2.2K J 1/10W	
R274			RK73GB2A102J	CHIP R 1.0K J 1/10W	
R275			RK73GB2A104J	CHIP R 100K J 1/10W	
R277,278			RK73GB2A471J	CHIP R 470 J 1/10W	
R279,280			RK73GB2A472J	CHIP R 4.7K J 1/10W	
R283			RK73GB2A103J	CHIP R 10K J 1/10W	
R285			RK73GB2A102J	CHIP R 1.0K J 1/10W	
R300,301			RK73GB2A472J	CHIP R 4.7K J 1/10W	
R302			RK73GB2A221J	CHIP R 220 J 1/10W	
R303			RK73GB2A223J	CHIP R 22K J 1/10W	
R305			RK73GB2A432J	CHIP R 4.3K J 1/10W	
R306			RK73GB2A100J	CHIP R 10 J 1/10W	
R307			RK73GB2A622J	CHIP R 6.2K J 1/10W	
R312			RK73EB2E101J	CHIP R 100 J 1/4W	
R313-317			RK73EB2E472J	CHIP R 4.7K J 1/4W	
R318,319			RK73EB2E101J	CHIP R 100 J 1/4W	
R321-323			RK73GB2A222J	CHIP R 2.2K J 1/10W	
R324,325			RK73GB2A472J	CHIP R 4.7K J 1/10W	
R326			RK73GB2A104J	CHIP R 100K J 1/10W	
R327,328			RK73GB2A472J	CHIP R 4.7K J 1/10W	
R329			RK73EB2E472J	CHIP R 4.7K J 1/4W	
R330,331			RK73EB2E101J	CHIP R 100 J 1/4W	
R332			RK73EB2E471J	CHIP R 470 J 1/4W	
R402			RK73FB2B102J	CHIP R 1.0K J 1/8W	
R403			RK73GB2A223J	CHIP R 22K J 1/10W	
D1			1N5393G-M5	DIODE	
D2			RB160L-40	DIODE	
D3			MA4056(N)-M	ZENER DIODE	
D4			MA4082(N)-L	ZENER DIODE	
D6			MA4110-L	ZENER DIODE	
D9-12			S1J	DIODE	
D9-12			1SR154-400	DIODE	
D13			1SS133	DIODE	
D16			MA4068(N)-M	ZENER DIODE	
D17			MA4062(N)-M	ZENER DIODE	

K : North America

△ Indicates safety critical components.

PARTS LIST

* New parts

Parts without **Parts No.** are not supplied.

Les articles non mentionnés dans le **Parts No.** ne sont pas fournis.

Teile ohne **Parts No.** werden nicht geliefert.

ELECTRIC UNIT (X25-9660-11)

Ref. No.	Add	New	Parts No.	Description	Destination
D20			1SS133	DIODE	
D23,24			DAP202U	DIODE	
D23,24			MA142WA	DIODE	
D25-27			RD6.8M(B2)	ZENER DIODE	
D28			RD6.8MW	ZENER DIODE	
D29-31			1SS133	DIODE	
D33-40			S1J	DIODE	
D33-40			1SR154-400	DIODE	
D50			RD6.8M(B2)	ZENER DIODE	
D51			RD6.8MW	ZENER DIODE	
D52,53			MA3062WA	ZENER DIODE	
D60			MA3062WA	ZENER DIODE	
D62			MA3062WA	ZENER DIODE	
D63-65			DA204U	DIODE	
D66			IMSA-6801	SURGE ABSORBER	
IC1		*	UPD703030GC015	MI-COM IC	
IC2			TDA7411	ANALOGUE IC	
IC3			M5237ML	ANALOGUE IC	
IC4			TDA7560	ANALOGUE IC	
IC7			S-80837CNNB	MOS-IC	
IC8			TC74HC02AF	MOS-IC	
IC13,14			LB1930M	ANALOGUE IC	
IC15			BR24C01AF-W	ROM IC	
Q1			2SA2057	TRANSISTOR	
Q2			2SC4081	TRANSISTOR	
Q3			2SA1576A	TRANSISTOR	
Q4			DTA124EUA	DIGITAL TRANSISTOR	
Q4			UN5112	DIGITAL TRANSISTOR	
Q5			DTC124EUA	DIGITAL TRANSISTOR	
Q5			UN5212	DIGITAL TRANSISTOR	
Q6			DTC144EUA	DIGITAL TRANSISTOR	
Q6			UN5213	DIGITAL TRANSISTOR	
Q7			DTA124EUA	DIGITAL TRANSISTOR	
Q7			UN5112	DIGITAL TRANSISTOR	
Q8,9			2SA2057	TRANSISTOR	
Q11			DTC124EUA	DIGITAL TRANSISTOR	
Q11			UN5212	DIGITAL TRANSISTOR	
Q12			DTA124EUA	DIGITAL TRANSISTOR	
Q12			UN5112	DIGITAL TRANSISTOR	
Q13			2SA2057	TRANSISTOR	
Q14			2SC4081	TRANSISTOR	
Q23			DTC114YUA	DIGITAL TRANSISTOR	
Q23			UN5214	DIGITAL TRANSISTOR	
Q24,25			2SB1240	TRANSISTOR	
Q26			DTC114YUA	DIGITAL TRANSISTOR	
Q26			UN5214	DIGITAL TRANSISTOR	
Q27			2SA1576A	TRANSISTOR	
Q28			DTA124EUA	DIGITAL TRANSISTOR	
Q28			UN5112	DIGITAL TRANSISTOR	
Q30			DTC144EUA	DIGITAL TRANSISTOR	
Q30			UN5213	DIGITAL TRANSISTOR	
Q32-34			2SC4081	TRANSISTOR	
Q51,52			DTA124EUA	DIGITAL TRANSISTOR	
Q51,52			UN5112	DIGITAL TRANSISTOR	
Q53			DTC143TUA	DIGITAL TRANSISTOR	
Q53			UN5216	DIGITAL TRANSISTOR	
Q54			DTC124EUA	DIGITAL TRANSISTOR	
Q54			UN5212	DIGITAL TRANSISTOR	
Q55,56			DTC143TUA	DIGITAL TRANSISTOR	
Q55,56			UN5216	DIGITAL TRANSISTOR	
Q59,60			DTC143TUA	DIGITAL TRANSISTOR	
Q59,60			UN5216	DIGITAL TRANSISTOR	
Q63			DTA124EUA	DIGITAL TRANSISTOR	
Q63			UN5112	DIGITAL TRANSISTOR	
Q102			DTC124EUA	DIGITAL TRANSISTOR	
Q102			UN5212	DIGITAL TRANSISTOR	
Q103			2SB1188(Q,R)	TRANSISTOR	
TH1			PTH9C42BD471Q	POSITIVE RESISTOR	
A1		*	X86-3730-11	FRONT-END UNIT	
CD PLAYER UNIT (X32-5200-00)					
C1,2			CK73GB0J105K	CHIP C	1.0UF K
C3			CK73FB1A225K	CHIP C	2.2UF K
C4			C92-0566-05	CHIP-TAN	10UF 6.3WV
C5			CC73GCH1H220J	CHIP C	22PF J
C6			CC73GCH1H030C	CHIP C	3.0PF C
C7			CK73GB1C104K	CHIP C	0.10UF K
C8			CK73GB0J105K	CHIP C	1.0UF K
C10			CK73GB1H472K	CHIP C	4700PF K
C11			CK73GB1H682K	CHIP C	6800PF K
C12			CK73GB1H332K	CHIP C	3300PF K
C13			CK73GB1C333K	CHIP C	0.033UF K
C14			CK73GB1H472K	CHIP C	4700PF K
C15			CK73GB1E473K	CHIP C	0.047UF K
C16			CC73GCH1H221J	CHIP C	220PF J
C17			CK73GB1H472K	CHIP C	4700PF K
C18			CC73GCH1H331J	CHIP C	330PF J
C19,20			CK73GB1C104K	CHIP C	0.10UF K
C21			CK73FB1A225K	CHIP C	2.2UF K
C23			CK73GB1H102K	CHIP C	1000PF K
C24			CK73GB1E223K	CHIP C	0.022UF K
C25			CK73GB1H153K	CHIP C	0.015UF K
C26			CK73GB0J105K	CHIP C	1.0UF K
C28			CK73GB0J105K	CHIP C	1.0UF K
C29			CK73GB1C104K	CHIP C	0.10UF K
C33			CK73GB1C104K	CHIP C	0.10UF K
C35			CK73GB1C104K	CHIP C	0.10UF K
C39			CK73GB1H152K	CHIP C	1500PF K
C40			CK73GB1H103K	CHIP C	0.010UF K
C41			CK73EB1C225K	CHIP C	2.2UF K
C42			CK73GB1H152K	CHIP C	1500PF K
C44			CK73GB1H103K	CHIP C	0.010UF K
C46			CK73GB1E473K	CHIP C	0.047UF K
C51			CK73GB1C104K	CHIP C	0.10UF K
C55			CK73GB1C104K	CHIP C	0.10UF K
C67,68			CK73GB1C104K	CHIP C	0.10UF K
C71,72			CK73GB1H471K	CHIP C	470PF K
C77,78			CC73GCH1H680J	CHIP C	68PF J
C79,80			CK73GB1H222K	CHIP C	2200PF K
C85			CK73GB1C104K	CHIP C	0.10UF K

K : North America

△ Indicates safety critical components.

PARTS LIST

* New parts

Parts without **Parts No.** are not supplied.

Les articles non mentionnés dans le **Parts No.** ne sont pas fournis.

Teile ohne **Parts No.** werden nicht geliefert.

CD PLAYER UNIT (X32-5200-00)

Ref. No.	A d d	N e w	Parts No.	Description	Desti- nation
C89			CK73GB1H222K	CHIP C 2200PF K	
CN1			E40-9536-05	FLAT CABLE CONNECTOR	
CN1			E41-0193-05	FLAT CABLE CONNECTOR	
CN2			E40-9527-05	FLAT CABLE CONNECTOR	
CN2			E41-0213-05	FLAT CABLE CONNECTOR	
X1			L78-0851-05	RESONATOR (16.93MHZ)	
CP1			R90-1019-05	MULTI-COMP 100 X2	
CP2			R90-1014-05	MULTI-COMP 100 X4	
R3			RK73GB2A272J	CHIP R 2.7K J 1/10W	
R5			RK73GB2A361J	CHIP R 360 J 1/10W	
R6			RK73GB2A272J	CHIP R 2.7K J 1/10W	
R7			RK73GB2A104J	CHIP R 100K J 1/10W	
R8			RK73GB2A472J	CHIP R 4.7K J 1/10W	
R9			RK73FB2B100J	CHIP R 10 J 1/8W	
R10,11			RK73GB2A562J	CHIP R 5.6K J 1/10W	
R12			RK73GB2A682J	CHIP R 6.8K J 1/10W	
R13			RK73GB2A392J	CHIP R 3.9K J 1/10W	
R15			RK73GB2A824J	CHIP R 820K J 1/10W	
R16			RK73GB2A223J	CHIP R 22K J 1/10W	
R17			RK73GB2A393J	CHIP R 39K J 1/10W	
R18			RK73GB2A392J	CHIP R 3.9K J 1/10W	
R19			RK73GB2A473J	CHIP R 47K J 1/10W	
R20			RK73GB2A104J	CHIP R 100K J 1/10W	
R21			RK73GB2A244J	CHIP R 240K J 1/10W	
R22			RK73GB2A623J	CHIP R 62K J 1/10W	
R32			RK73GB2A683J	CHIP R 68K J 1/10W	
R34			RK73GB2A363J	CHIP R 36K J 1/10W	
R35			RK73GB2A104J	CHIP R 100K J 1/10W	
R36			RK73GB2A151J	CHIP R 150 J 1/10W	
R37			RK73GB2A471J	CHIP R 470 J 1/10W	
R38			RK73GB2A224J	CHIP R 220K J 1/10W	
R40			RK73GB2A133J	CHIP R 13K J 1/10W	
R46			RK73GB2A102J	CHIP R 1.0K J 1/10W	
R47			RK73GB2A103J	CHIP R 10K J 1/10W	
R49			RK73GB2A472J	CHIP R 4.7K J 1/10W	
R52			RK73GB2A104J	CHIP R 100K J 1/10W	
R53			RK73GB2A103J	CHIP R 10K J 1/10W	
R54			RK73GB2A104J	CHIP R 100K J 1/10W	
R70			RK73GB2A103J	CHIP R 10K J 1/10W	
R71			RK73GB2A183J	CHIP R 18K J 1/10W	
R73			RK73GB2A683J	CHIP R 68K J 1/10W	
R74			RK73GB2A123J	CHIP R 12K J 1/10W	
R75			RK73GB2A333J	CHIP R 33K J 1/10W	
R76			RK73GB2A103J	CHIP R 10K J 1/10W	
R79,80			RK73GB2A103J	CHIP R 10K J 1/10W	
R81			RK73GB2A333J	CHIP R 33K J 1/10W	
R82			RK73GB2A223J	CHIP R 22K J 1/10W	
R84			RK73GB2A103J	CHIP R 10K J 1/10W	
R101,102			RK73GB2A332J	CHIP R 3.3K J 1/10W	
R103,104			RK73GB2A562J	CHIP R 5.6K J 1/10W	
R107,108			RK73FB2B331J	CHIP R 330 J 1/8W	
R110			RK73FB2B201J	CHIP R 200 J 1/8W	
R117,118			RK73FB2B203J	CHIP R 20K J 1/8W	

Ref. No.	A d d	N e w	Parts No.	Description	Desti- nation
R121,122			RK73FB2B203J	CHIP R 20K J 1/8W	
R125,126			RK73FB2B203J	CHIP R 20K J 1/8W	
R202			RK73GB2A104J	CHIP R 100K J 1/10W	
R213			RK73GB2A104J	CHIP R 100K J 1/10W	
R218			RK73GB2A473J	CHIP R 47K J 1/10W	
R233			RK73GB2A622J	CHIP R 6.2K J 1/10W	
R234			RK73GB2A103J	CHIP R 10K J 1/10W	
S1,2			S68-0863-05	PUSH SWITCH	
S3			S68-0862-05	PUSH SWITCH	
D1			DAN202U	DIODE	
D2			MA8051-L	ZENER DIODE	
D3			DA204U	DIODE	
D4			DAN202U	DIODE	
IC1			AN22002AA	ANALOGUE IC	
IC2			MN662773KH2	MOS-IC	
IC4			BA5824FP	ANALOGUE IC	
IC6			NJM4580M1	ANALOGUE IC	
Q1			MCH6101	TRANSISTOR	
Q2			DTC124EUA	DIGITAL TRANSISTOR	
Q3			DTA143XUA	DIGITAL TRANSISTOR	
Q4			2SA1362(Y)	TRANSISTOR	
Q5			DTC124EUA	DIGITAL TRANSISTOR	

CD MECHANISM ASSY (X92-4450-01)

Ref. No.	A d d	N e w	Parts No.	Description	Desti- nation
2		1B	A10-4827-12	CHASSIS	
5		1B	D10-4576-43	ARM ASSY	
8		2A	D10-4579-03	LEVER ASSY	
10		3A	D10-4581-13	ARM	
11		2A	D10-4582-13	ARM	
12		3A	D10-4583-03	ARM	
13		3A	D10-4584-03	ARM	
14		3B	D10-4585-03	ARM	
15		2A	D10-4586-13	SLIDER	
16		3B	D10-4587-22	SLIDER	
17		3B	D10-4588-13	SLIDER	
18		3B	D10-4595-04	ARM	
19		3B	D10-4596-14	ARM	
22		2A	D13-2151-04	GEAR	
23		2B	D13-2152-04	GEAR	
24		3B	D13-2153-04	GEAR	
25		3B	D13-2154-04	GEAR	
26		3B	D13-2155-04	WORM	
27		3B	D13-2156-14	GEAR	
28		3B	D13-2157-04	GEAR	
29		3B	D13-2158-04	GEAR	
30		3B	D13-2168-04	GEAR	
31		3B	D13-2171-04	GEAR	
32		2B	D13-2172-03	RACK (GEAR)	
33		2A	D14-0759-04	ROLLER	
35		2B	D21-2382-04	SHAFT	
36		1A	D23-0954-04	RETAINER	
37		1B	D39-0246-05	DAMPER	
38		2B	G01-3072-04	EXTENSION SPRING	

K : North America

△ Indicates safety critical components.

PARTS LIST

* New parts

Parts without **Parts No.** are not supplied.

Les articles non mentionnes dans le **Parts No.** ne sont pas fournis.

Teile ohne **Parts No.** werden nicht geliefert.

CD MECHANISM ASSY (X92-4450-01)

Ref. No.	A d d	N e w	Parts No.	Description	Desti- nation	Ref. No.	A d d	N e w	Parts No.	Description	Desti- nation
39	2A		G01-3073-04	TORSION COIL SPRING							
40	2A		G01-3074-04	EXTENSION SPRING							
41	1B		G01-3075-04	EXTENSION SPRING							
42	2A		G01-3076-04	EXTENSION SPRING							
43	1B		G01-3077-04	EXTENSION SPRING							
44	2B		G02-1399-04	FLAT SPRING							
45	2B		G02-1408-04	FLAT SPRING							
51	1A		J21-9676-22	MOUNTING HARDWARE							
52	3B		J21-9677-02	MOUNTING HARDWARE							
53	1B		J21-9678-03	MOUNTING HARDWARE							
55	1A		J90-1001-11	GUIDE							
56	1B		J90-1023-03	GUIDE							
A	2B		N09-4460-05	TAPTITE SCREW (OVAL P TAPTIT)							
B	1B		N09-4472-05	MACHINE SCREW (M1.7X8.5)							
C	2B		N09-6004-05	MACHINE SCREW (M1.7X2.5 IB-L)							
E	2B		N09-6007-05	MACHINE SCREW (PAN M2X2)							
F	1A		N09-6051-05	TAPTITE SCREW (BIND P 2X5)							
G	2A		N19-2163-04	FLAT WASHER							
H	1B		N39-2020-46	PAN HEAD MACHIN SCREW							
J	1B		N09-6108-05	MACHINE SCREW (M2*3.5TYPE3)							
DM1	3B		T42-1066-04	DC MOTOR ASSY (SP)							
DM2	2B		T42-1067-04	DC MOTOR ASSY (LO)							
DPU1	2D		X93-2000-00	OPTICAL PICKUP ASSY							

K : North America

△ Indicates safety critical components.

KDC-V7022

SPECIFICATIONS

FM

Frequency Range (Frequency step) 87.9MHz~107.9MHz (200kHz)
Channel Space Selection 50kHz/200kHz
Usable Sensitivity (S/N 30dB) 9.3dBf (0.8 μ V/75 Ω)
Quieting Sensitivity (S/N 50dB) 15.2dBf (1.6 μ V/75 Ω)
Frequency Response (\pm 3.0dB) 30Hz~15kHz
S/N 70dB (MONO)
Selectivity \geq 80dB (\pm 400kHz)
Stereo Separation 40dB (1kHz)

AM

Frequency Range (Frequency step) 530kHz~1700kHz (10kHz)
Channel Space Selection 9kHz/10kHz
Usable Sensitivity (S/N 20dB) 28dB μ (25 μ V)

CD

Laser Diode GaAlAs (λ =780nm)
Digital Filter (D/A) 8 Times Over Sampling
D/A Converter 1 Bit
Spindle Speed (CD-DA) 500~200rpm (CLV)
Wow & Flutter Below Measurable Limit
Frequency Response 10Hz~20kHz (\pm 1dB)
Total Harmonic Distortion 0.01% (1kHz)
S/N Ratio 105dB (1kHz)
Dynamic Range 93dB
Channel Separation 95dB

Preout Level/Load (Unbalanced) 2000mV/10k Ω (CD/CD-CH)
Preout Impedance \leq 600 Ω

AUX Input

Frequency Response 20Hz~20kHz \pm 1dB
Input Maximum Voltage 1200mV
Input impedance 100k Ω

Amplifier

Maximum Power 50Wx4
Full Bandwidth Power (at less than 1% THD) 22Wx4

Tone

Bass 100Hz \pm 10dB
Middle 1kHz \pm 10dB
Treble 10kHz \pm 10dB

General

Operating Voltage (11V~16V allowable) 14.4V
Current Consumption 10A
Installation Size (WxHxD) 178x50x165 (mm)
..... 7x1-15/16x6-1/2 (in)
Weight 3.75lbs (1.70kg)

KENWOOD follows a policy of continuous advancements in development. For this reason specifications may be changed without notice.

KENWOOD CORPORATION

2967-3, Ishikawa-machi, Hachioji-shi, Tokyo 192-8525, Japan

KENWOOD USA CORPORATION
P.O. BOX 22745, 2201 East Dominguez Street, Long Beach, CA90801-5745, U.S.A.

KENWOOD ELECTRONICS CANADA INC.
6070 Kestrel Road, Mississauga, Ontario, Canada L5T 1S8

KENWOOD ELECTRONICS LATIN AMERICA S.A.
P.O. Box 55-2791 Paitilla, Plaza Credicorp Bank Panama,
Piso 9, Oficina 901, Calle 50, Panama, Rep. de Panama

KENWOOD ELECTRONICS BRASIL LTDA.
Alameda Ministro Rocha Azevedo No. 456,
Edifício Jaú, 10o Andar, Cerqueira César, Cep 0140-001,
São Paulo-SP-Brasil

KENWOOD ELECTRONICS UK LIMITED
Kenwood House, Dwight Road, Watford, Herts, WD18 9EB, United Kingdom

KENWOOD ELECTRONICS DEUTSCHLAND GMBH
Rembrücker-Str. 15, 63150 Heusenstamm, Germany

KENWOOD ELECTRONICS FRANCE S.A.
13, Boulevard Ney, 75018 Paris, France

KENWOOD ELECTRONICS BELGIUM N.V.
Leuvensesteenweg 248 J, 1800 Vilvoorde, Belgium

KENWOOD ELECTRONICS ITALIA S.p.A.
Via G. Sirtori 7/9, 20129 Milano, Italy

KENWOOD IBÉRICA S.A.
Boivia, 239-08020 Barcelona, Spain

KENWOOD ELECTRONICS AUSTRALIA PTY. LTD. (A.C.N. 001 499 074)
16 Giffnock Avenue, Centrecourt Estate, North Ryde,
N.S.W. 2113, Australia

KENWOOD ELECTRONICS (HONG KONG) LTD.
Unit 3712-3724, Level 37, Tower 1, Metroplaza, 223 Hing Fong Road, Kwai Fong, N.T.,
Hong Kong

KENWOOD ELECTRONICS GULF FZE
P.O. Box 61318, Jebel Ali, Dubai, U.A.E.

KENWOOD ELECTRONICS (THAILAND) CO., LTD.
2019 New Pechburi Road, Bangkok, Huaykwang, Bangkok, 10320 Thailand

KENWOOD ELECTRONICS SINGAPORE PTE. LTD.
1 Genting Lane, #07-00, Kenwood Building, Singapore, 349544

KENWOOD ELECTRONICS (MALAYSIA) SDN BHD
#4.01 Level 4, Wisma Academy Lot 4A, Jalan 19/1, 46300 Petaling Jaya, Selangor Darul Ehsan,
Malaysia